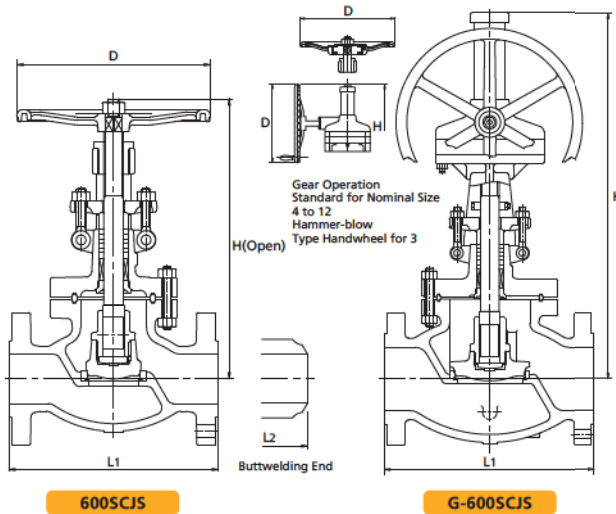


Cast Carbon Steel Globe Valve

Bolted bonnet, Outside screw-and-yoke, Rising stem handwheel, Swivel disc.



600SCJS

G-600SCJS

Fig	End Connections
600SCJS	RF-flanged ends.
W600SCJS	Butt-welding ends.

Standard materials of parts

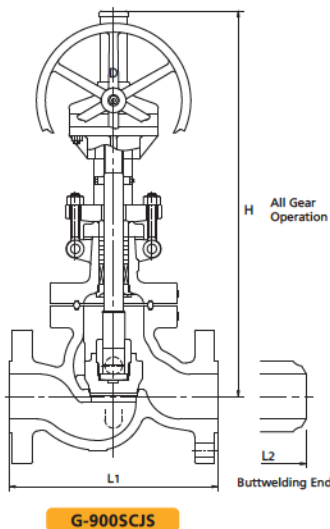
Parts	Materials
Body	ASTM A216 Gr.WCB
Bonnet	ASTM A216 Gr.WCB
Stem	ASTM A276 Tp.403
Disc	13Cr/Carbon Steel+13Cr
Lock nut	ASTM A182 Gr.F6a
Body seat ring	Carbon Steel+HF*
Gland	ASTM A182 Gr.F6a
Gland packing	Flexible Graphite
Gland flange	ASTM A105/A216 Gr. WCB
Handwheel	Ductile iron
Gasket	See Page 6
Bonnet bolt/nut	ASTM A193 Gr.B7/A194 Gr.2H
Gland bolt/nut	ASTM A576 Gr.1045/A194 Gr.2H
Bonnet bushing	ASTM A182 Gr.F6a
Yoke	ASTM A216 Gr.WCB

*Hard facing with Co-Cr-W Alloy.
Note: Refer to Page 3&6 for standard seat material and construction.

Dimensions

Nominal Size	2		2½		3		4		5		6		8		10		12		
	in	mm	in	mm	in	mm	in	mm	in	mm	in	mm	in	mm	in	mm	in	mm	
L ₁	in	11.50	13.00	14.00	17.00	20.00	22.00	26.00	31.00	33.00									
	mm	292	330	356	432	508	559	660	787	838									
L ₂	in	11.50	13.00	14.00	17.00	20.00	22.00	26.00	31.00	33.00									
	mm	292	330	356	432	508	559	660	787	838									
H	in	15.7	18.7	19.9	35.3	36.6	39.0	45.9	52.0	62.2									
	mm	400	475	506	897	930	991	1122	1420	1580									
D	in	9.8	11.8	13.8	19.7	19.7	19.7	23.6	23.6	24.0									
	mm	250	300	350	500	500	500	600	610	610									

Bolted bonnet, Outside screw-and-yoke, Rising stem, Swivel disc.



G-900SCJS

Fig	End Connections
900SCJS	RF-flanged ends.
W900SCJS	Butt-welding ends.

Standard materials of parts

Parts	Materials
Body	ASTM A216 Gr.WCB+HF*
Bonnet	ASTM A216 Gr.WCB
Stem	ASTM A276 Tp.403
Disc	13Cr/Carbon Steel+13Cr
Lock nut	ASTM A182 Gr.F6a
Gland	ASTM A182 Gr.F6a
Gland packing	Flexible Graphite
Gland flange	ASTM A105/A216 Gr. WCB
Gasket	See Page 6
Bonnet bolt/nut	ASTM A193 Gr.B7/A194 Gr.2H
Gland bolt/nut	ASTM A576 Gr.1045/A194 Gr.2H
Bonnet bushing	ASTM A182 Gr.F6a
Yoke	ASTM A216 Gr.WCB

*Hard facing with Co-Cr-W Alloy.
Note: Refer to Page 3&6 for standard seat material and construction.

Dimensions

Nominal Size	3		4		6		8	
	in	mm	in	mm	in	mm	in	mm
L ₁	in	15.00	18.00	18.00	24.00	24.00	29.00	29.00
	mm	381	457	457	610	610	737	737
L ₂	in	15.00	18.00	18.00	24.00	24.00	29.00	29.00
	mm	381	457	457	610	610	737	737
H	in	35.4	37.7	37.7	46.2	46.2	54.4	54.4
	mm	900	957	957	1173	1173	1381	1381
D	in	19.7	19.7	19.7	23.6	23.6	23.6	23.6
	mm	500	500	500	600	600	600	600

Class 600

Class 900