



KITZ Polymer Extension Handle (ISEP) helps to eliminate thermal conductivity and ensure proper valve operation in insulated piping systems.

Our ISEP has a rugged and compact polymer body with enough strength to exceed operation expectations and meet UL2043 testing requirements for plenum applications.

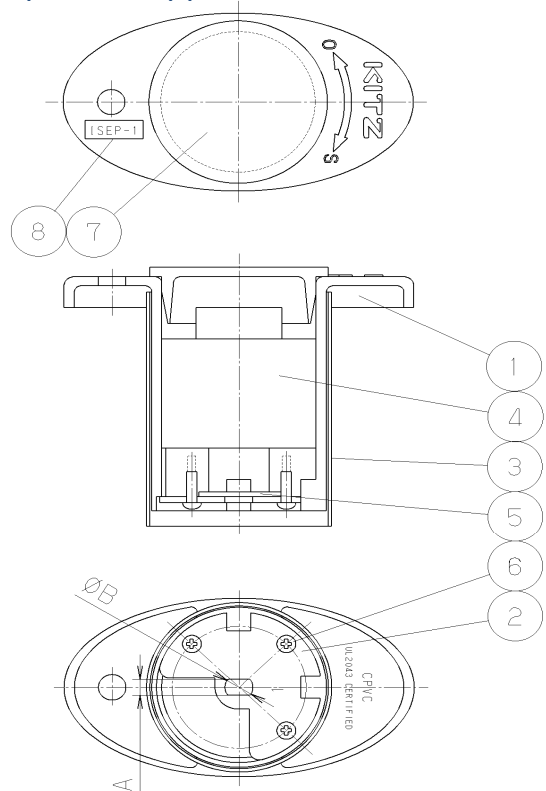
Design features:

- Transparent sleeve that protects the piping insulation during valve operation.
- Adjustable memory stop that allows the valve to be utilized for balancing service.
- Insulation insert that creates a barrier between insulated and ambient temperatures.

Temperature Range:

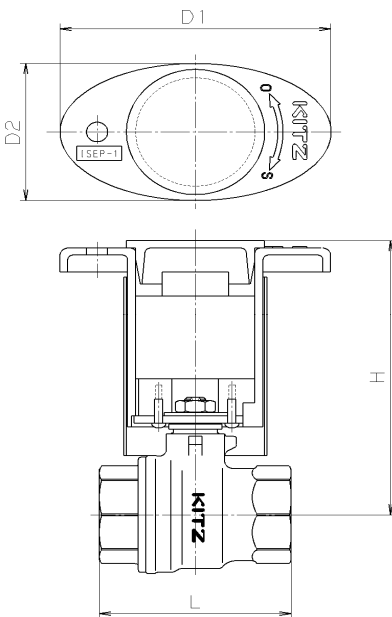
- 4 to 250° F
- 20 to 121° C

KITZ 60 Series Ball Valves:
UL2043 Certified



Unit : inch

HANDLE	A	B
ISEP-1	0.20	0.32
ISEP-2	0.20	0.36
ISEP-3	0.28	0.43
ISEP-4	0.33	0.55



PART NO.	PART NAME	Q'TY	MATERIAL
1	HANDLE	1	CPVC
2	BASE PLATE	1	STAINLESS STEEL
3	SLEEVE	1	PETG
4	INSULATION INSERT	1	POLYETHYLENE FOAM
5	MEMORY STOP	1	STEEL
6	SCREW	3	STEEL
7	CAP	1	POLYETHYLENE
8	ID STICKER	1	POLYESTEL

Unit : inch

DIMENSIONS	H	D1	D2	L	Screwed End	Handle
1/4"	3.94	4.02	2.24	1.61	NPT 1/4	ISEP-1
3/8"	3.94	4.02	2.24	1.65	NPT 3/8	ISEP-1
1/2"	4.06	4.02	2.24	2.09	NPT 1/2	ISEP-1
3/4"	4.25	4.02	2.24	2.36	NPT 3/4	ISEP-2
1"	4.53	4.02	2.24	2.83	NPT 1	ISEP-3
1-1/4"	4.76	4.02	2.24	3.23	NPT 1.1/4	ISEP-3
1-1/2"	5.12	5.55	3.07	3.62	NPT 1.1/2	ISEP-4
2"	5.43	5.55	3.07	4.13	NPT 2	ISEP-4