



KITZ Polymer Extension Handle (ISEP) helps to eliminate thermal conductivity and ensure proper valve operation in insulated piping systems.

Our ISEP has a rugged and compact polymer body with enough strength to exceed operation expectations and meet UL2043 testing requirements for plenum applications.

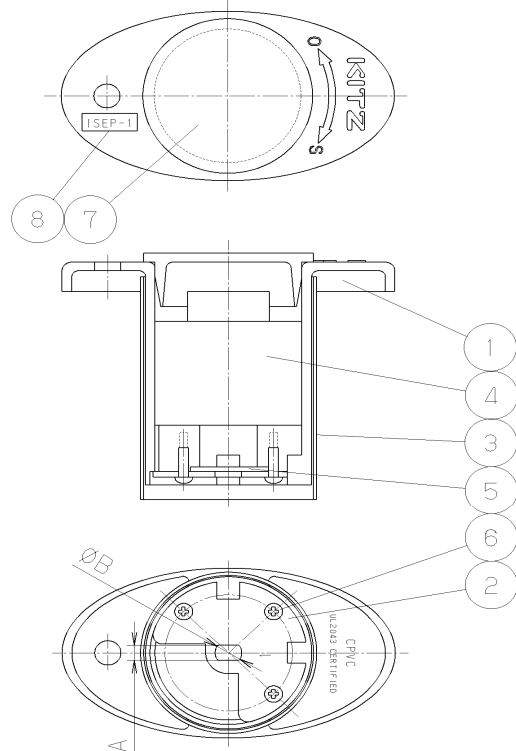
Design features:

- Transparent sleeve that protects the piping insulation during valve operation.
- Adjustable memory stop that allows the valve to be utilized for balancing service.
- Insulation insert that creates a barrier between insulated and ambient temperatures.

Temperature Range:

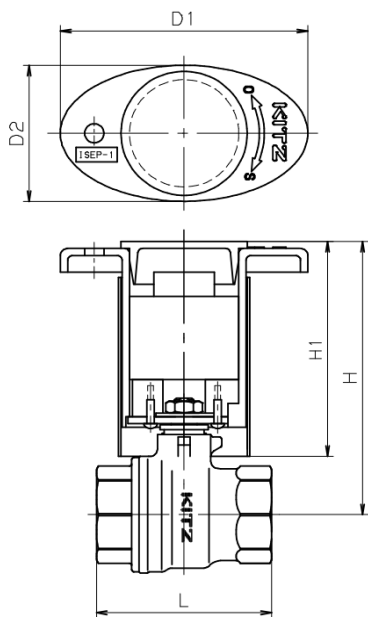
- 4 to 250° F
- 20 to 121° C

KITZ 58 Series Ball Valves:
UL2043 Certified



Unit : inch

| HANDLE | A | B |
|--------|------|------|
| ISEP-2 | 0.20 | 0.36 |
| ISEP-5 | 0.28 | 0.43 |
| ISEP-6 | 0.35 | 0.62 |



| PART NO. | PART NAME | Q'TY | MATERIAL |
|----------|-------------------|------|-------------------|
| 1 | HANDLE | 1 | CPVC |
| 2 | BASE PLATE | 1 | STAINLESS STEEL |
| 3 | SLEEVE | 1 | PETG |
| 4 | INSULATION INSERT | 1 | POLYETHYLENE FOAM |
| 5 | MEMORY STOP | 1 | STEEL |
| 6 | SCREW | 3 | STEEL |
| 7 | CAP | 1 | POLYETHYLENE |
| 8 | ID STICKER | 1 | POLYESTEL |

DIMENSIONS

Unit : inch

| Valve Size | H | H1 | D1 | D2 | L | Screwed End | Handle |
|------------|------|------|------|------|------|-------------|--------|
| 1/4" | 3.72 | 3.15 | 4.02 | 2.24 | 1.61 | NPT 1/4 | ISEP-2 |
| 3/8" | 3.72 | 3.15 | 4.02 | 2.24 | 1.65 | NPT 3/8 | ISEP-2 |
| 1/2" | 3.83 | 3.15 | 4.02 | 2.24 | 2.09 | NPT 1/2 | ISEP-2 |
| 3/4" | 3.98 | 3.15 | 4.02 | 2.24 | 2.36 | NPT 3/4 | ISEP-2 |
| 1" | 4.18 | 3.15 | 4.02 | 2.24 | 2.83 | NPT 1 | ISEP-5 |
| 1-1/4" | 4.39 | 3.15 | 4.02 | 2.24 | 3.23 | NPT 1.1/4 | ISEP-5 |
| 1-1/2" | 4.81 | 3.35 | 5.55 | 3.07 | 3.62 | NPT 1.1/2 | ISEP-6 |
| 2" | 5.10 | 3.35 | 5.55 | 3.07 | 4.13 | NPT 2 | ISEP-6 |