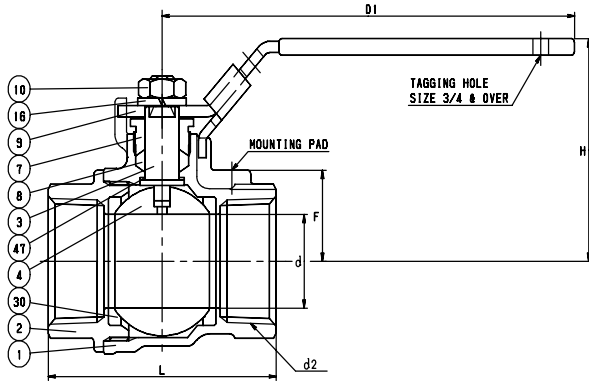


# FORGED BRASS/CAST BRONZE BALL VALVE

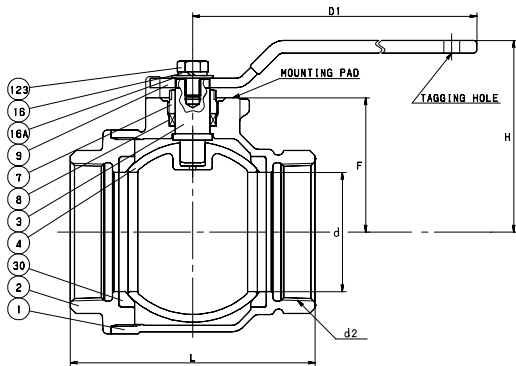
## 250 WSP STEAM SEATS

Two Piece Body with Mounting Pad • Full Port • Stainless Steel Trim  
 Blowout Proof Stem • Stainless Steel / Vented Ball • PTFE Seats and Seals • Locking Lever Handle  
 CSA (US/C) • UL • FM\*\* (1/4" - 2")

### CODE # 68PM (AKTAFPM) THREADED



### CODE # 68PM (AKTAFPM) 2 1/2" - 4" THREADED



#### SPECIFICATION

Approved valve shall have two piece forged brass or cast bronze body with mounting pad, blowout proof stem, reinforced PTFE seats/seals, stainless steel trim, and full port design with locking handle. Valve sizes 1/4"-2" shall be pressure rated to 250 WSP/600 WOG and conform to MSS-SP 110 and certified to CSA, UL & FM. Valve sizes 2 1/2"-4" shall be pressure rated to 250 WSP/400 WOG and conform to MSS-SP 110.

KITZ Code No. 68PM (AKTAFPM) Threaded Ends

\*\*CSA (US/C):  
 ASME B16.33 - 125G  
 CGA 3.16-M88 - 125G  
 UL-125, 842, 1769  
 FM-1140 - 175 WWP (Fire Protection Systems)

#### STANDARDS

END TO END KITZ  
 END CONNECTION ASME B1.20.1  
 WALL THICKNESS KITZ  
 CONFORMS TO MSS-SP 110 - REPLACES US. FED.  
 SPEC. WWW-V-35B, TYPE II, CLASS A, STYLE 3

#### PRESSURE/TEMPERATURE

250 PSI - SATURATED STEAM TO 366°F  
 600 PSI (1/4"-2") - NON-SHOCK COLD WATER, OIL OR GAS  
 400 PSI (2 1/2"-4") - NON-SHOCK COLD WATER, OIL OR GAS

NOTE: PRESSURE/TEMPERATURE CHART - PAGE BV-29

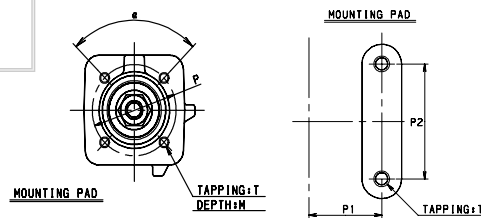
#### MATERIAL LIST

NO.	NAME OF PART	SPECIFICATION
1	BODY (2 1/2" - 4")	FORGED BRASS (B283, C37700) CAST BRONZE (B584, C84400)
2	BODY CAP (2 1/2" - 4")	FORGED BRASS (B283, C37700) CAST BRONZE (B584, C84400)
3	STEM	STAINLESS STEEL (A276 TYPE 316)
4	BALL (Vented)	STAINLESS STEEL (A276 TYPE 316 or A351 Gr. CF8M)
7	GLAND	BRASS ROD (B16)
8	GLAND PACKING	REINFORCED PTFE
9	HANDLE	(1) CARBON STEEL
10	HANDLE NUT	CARBON STEEL
16	SPRING WASHER	CARBON STEEL
16A	WASHER	CARBON STEEL
30	BALL SEATS	REINFORCED PTFE
47	THRUST WASHER	REINFORCED PTFE
123	HANDLE BOLT	CARBON STEEL

NOTES: (1) ELECTROPLATED ZINC WITH PLASTIC COVERING

#### DIMENSIONS - WEIGHTS - QUANTITIES

d2 SIZE	d	H	D1	L	P1	P2	F	APPROX. NET WT.	CARTON QTY
1/4	.39	1.54	3.19	1.61	.50	1.12	.55	48	120
3/8	.39	1.54	3.19	1.65	.50	1.12	.55	49	120
1/2	.59	1.65	3.19	2.09	.50	1.12	.72	52	96
3/4	.79	2.01	3.94	2.36	.87	1.37	.75	50	60
1	.98	2.32	5.12	2.83	.87	1.37	.94	51	36
1 1/4	1.26	2.52	5.12	3.23	.93	1.50	1.26	50	24
1 1/2	1.57	2.87	5.91	3.62	.93	1.50	1.46	54	16
2	1.97	3.15	5.91	4.13	.93	1.50	1.77	72	16
2 1/2	2.56	4.25	7.87	5.31	1.97	-	1.97	17	2
3	2.99	4.80	11.81	6.14	1.97	-	1.97	26	2
4	3.94	5.51	11.81	7.56	1.97	-	1.97	44	2



T - 10-24 UNC (1/4" - 1")  
 T - 1/4-20 UNC (1/4" - 2")  
 T - 4-M6 (2 1/2" - 4")  
 M - .35 (1 1/4", 2"-4")  
 M - .31 (1/4" - 1", 1 1/2", 2")