

FORGED BRASS BALL VALVE

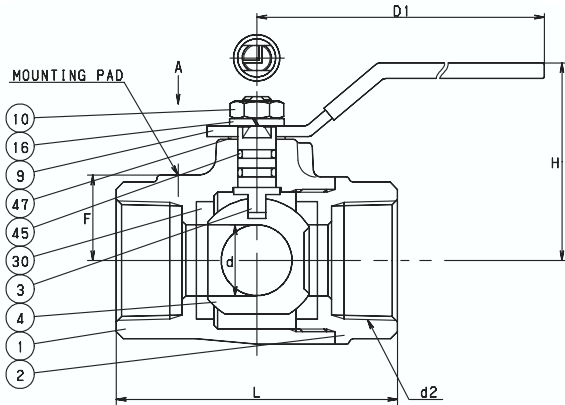
THREE WAY

Two Piece Body with Mounting Pad • Maintenance Free Double O-Ring Stem Seals
L-Port Design • Blowout Proof Stem • Chrome Plated Ball • PTFE Seats

CODE # 54P (AKTNP)

1/2" - 2"

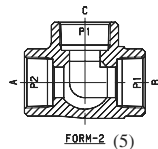
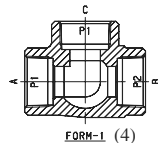
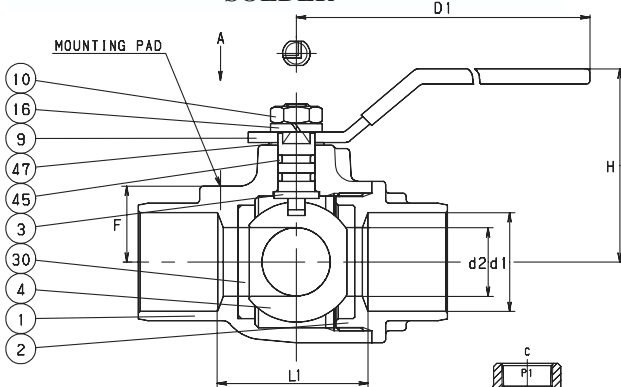
THREADED



CODE # 55P (CTNP)

1/2" - 1"

SOLDER*



*REFERENCE VALVE INSTALLATION TIPS FOR SOUND SOLDER JOINTS (PAGE BV-66) OR SEE INSTALLATION SHEET PACKAGED WITH VALVE.

SPECIFICATION

Approved valve shall have three way two piece forged brass body, blowout proof stem, PTFE seats, maintenance free double o-ring stem seals, chrome plated ball, and L-port port design. Valves shall be pressure rated to 150 PSI @ 300°F/400 WOG.

KITZ Code No. 54P (AKTNP) Threaded Ends
55P (CTNP) Soldered Ends

STANDARDS

END TO END	KITZ
THREADED ENDS	ANSI B1.20.1
SOLDER JOINT ENDS	ANSI B16.18
WALL THICKNESS	KITZ

PRESSURE/TEMPERATURE

150PSI @ 300° F
400 PSI NON-SHOCK COLD WATER, OIL OR GAS

NOTE: PRESSURE/TEMPERATURE CHART - PAGE BV-29

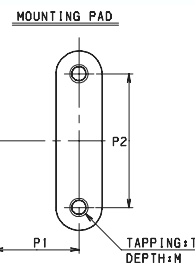
MATERIAL LIST

NO.	NAME OF PART	SPECIFICATION
1	BODY	FORGED BRASS (B283, C37700)
2	BODY CAP	FORGED BRASS (B283, C37700)
3	STEM	(1) SPECIAL BRASS (KITZ, K-METAL)
4	BALL	(2) FORGED BRASS (B283, C37700)
9	HANDLE	(3) STAINLESS STEEL
10	HANDLE NUT	CARBON STEEL
16	WASHER	CARBON STEEL
30	BALL SEAT	PTFE
45	O-RINGS	FPM
47	THRUST WASHER	POM

- NOTES:
- (1) PROPRIETARY DEZINCIFICATION RESISTANT MATERIAL
 - (2) CR. PLATING
 - (3) WITH PLASTIC COVERING
 - (4) FLOW IS FACILITATED BETWEEN "A" & "C" AFTER EXTENDED USE, PORT "B" MAY LEAK SLIGHTLY TO PORT "A" & "C" IF PRESSURE IN P2 IS HIGHER THAN P1.
 - (5) FLOW IS FACILITATED BETWEEN "C" & "B" AFTER EXTENDED USE, PORT "A" MAY LEAK SLIGHTLY TO PORT "B" & "C", IF PRESSURE IN P2 IS HIGHER THAN P1

DIMENSIONS - WEIGHTS - QUANTITIES

d2 SIZE	d	H	D1	L	L1	P1	P2	F	d1		APPROX. NET WT.	CTN QTY
									Max.	Min.		
1/2	.39	1.77	3.94	2.64	1.32	.50	1.12	.59	.631	.627	59	60
3/4	.59	1.89	3.94	2.68	1.34	.87	1.37	.72	.881	.877	63	48
1	.79	2.17	5.12	3.11	1.56	.87	1.37	.87	1.132	1.128	64	32
1 1/4	.98	2.36	5.12	3.50	-	.93	1.50	1.05	-	-	67	24
1 1/2	1.26	2.56	5.12	3.94	-	.93	1.50	1.22	-	-	62	16
2	1.57	2.95	5.91	4.53	-	.93	1.50	1.77	-	-	72	12



T - 10-24 UNC (1/2"-1")
1/4-20 UNC (1 1/4"-2")
M - .31 (1/2"-2")