

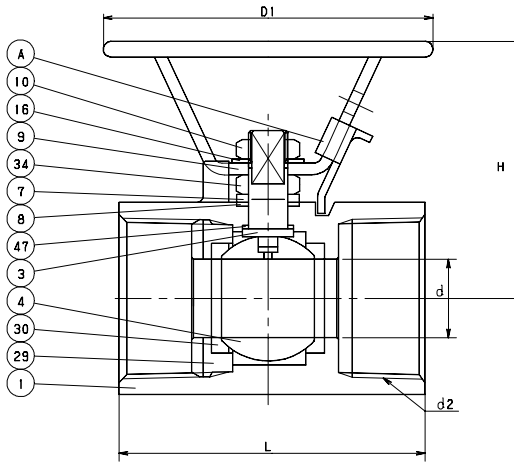
# CARBON STEEL BALL VALVE

## FIRE SAFE (API 607)

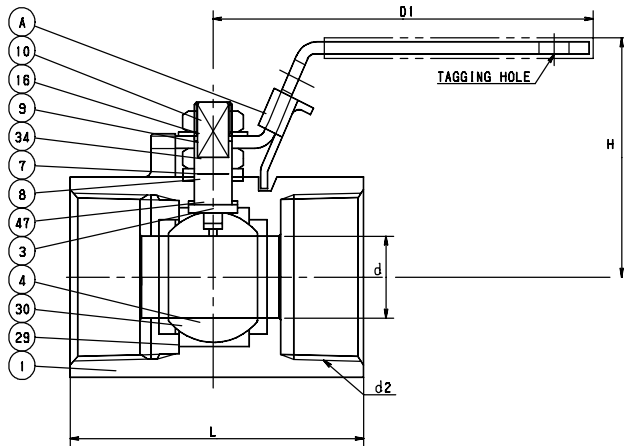
One Piece Body with Mounting Pad • 316 Stainless Steel Trim  
Reduced Port • Blowout Proof Stem • NACE

CARBON STEEL BALL VALVES

### CODE # 119-LOH (AKSCTKZM-FSO) LOCKING OVAL HANDLE (1/4"-1") THREADED



### CODE # 119 (AKSCTKZM-FS) LOCKING LEVER HANDLE (1 1/4"-2") THREADED



#### SPECIFICATION

Approved valve shall have one piece carbon steel body with mounting pad, blowout proof stem, PTFE seats/seals, stainless steel trim, and reduced port design. Valves shall be pressure rated to 2000 WOG with locking oval handle (1/4"-1") and 1500 WOG with locking lever handle (1 1/4"-2").

KITZ Code No. 119-LOH (AKSCTKZM-FSO)  
119 (AKSCTKZM-FS)

#### STANDARDS

END TO END	KITZ
END CONNECTION	ASME B1.20.1
WALL THICKNESS	KITZ

#### PRESSURE/TEMPERATURE

(1/4"-1")	240 PSI - SATURATED STEAM TO 403°F 2000 PSI - NON-SHOCK COLD WATER, OIL OR GAS
(1 1/4"-2")	220 PSI - SATURATED STEAM TO 395°F 1500 PSI - NON-SHOCK COLD WATER, OIL OR GAS

NOTE: PRESSURE/TEMPERATURE CHART - PAGE BV-38

#### MATERIAL LIST

NO.	NAME OF PART	SPECIFICATION
1	BODY	CAST STEEL (A216 Gr. WCB)
3	STEM	STAINLESS STEEL (A276 TYPE 316)
4	BALL	STAINLESS STEEL (A276 TYPE 316)
7	GLAND	STAINLESS STEEL (A276 TYPE 304)
8	GLAND PACKING	FLEXIBLE GRAPHITE
9	HANDLE	(1) CARBON STEEL
10	NUT	STAINLESS STEEL (A194 Gr. 8)
16	WASHER (1/4", 3/8", 1"-2")	STAINLESS STEEL (A276 TYPE 304)
29	INSERT	CAST STEEL (A216 Gr. WCB or CARBON STEEL (A105)
30	BALL SEATS	HYPATITE PTFE
34	NUT (1/2"-2")	STAINLESS STEEL (A194 Gr. 8)
47	THRUST WASHER	G/F PTFE
A	LATCH LOCK (1/2"-2")	STAINLESS STEEL (A276 TYPE 304)

NOTES: (1) ELECTROPLATED ZINC WITH PLASTIC COVERING  
LEVER AND OVAL HANDLE OPTIONALLY AVAILABLE FOR ALL SIZES

#### DIMENSIONS - WEIGHTS - QUANTITIES

d2 SIZE	d	H	D1	L	P1	P2	APPROX. CARTON NET WT.	QTY
1/4	.18	1.69	3.94	1.97	-	-	16	24
3/8	.27	1.85	3.94	2.05	-	-	16	24
1/2	.36	2.13	3.94	2.56	.50	1.12	20	24
3/4	.49	2.24	3.94	2.76	.57	1.37	26	24
1	.59	2.36	3.94	3.15	.87	1.37	34	24
1 1/4	.79	2.52	4.33	3.74	1	1.5	58	30
1 1/2	.98	2.68	5.51	3.94	1	1.5	51	18
2	1.26	2.95	5.51	4.49	1	1.5	4	10

T - 10-24 UNC (1/4"-1")  
1/4-24 UNC (1 1/4"-2")

