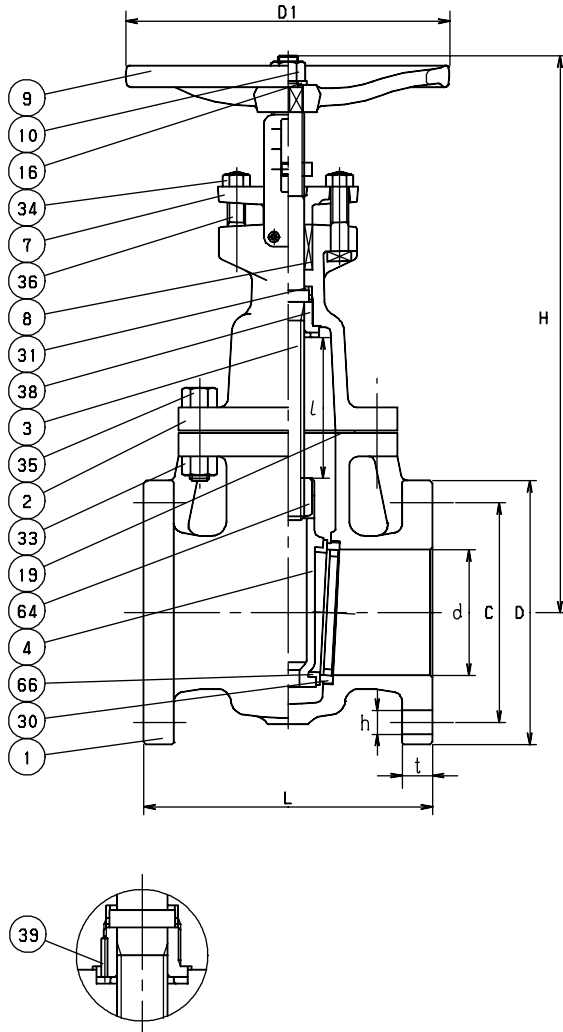


GATE CLASS 125 CAST IRON

Non-Rising Stem • Bolted Bonnet with Open/Close Indicator
Bronze Mounted • Solid Wedge Disc

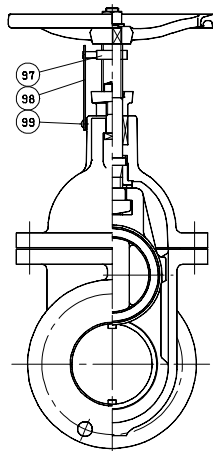
CODE # 75 (125FCWI)



STANDARDS	
END TO END	ANSI B16.10, CLASS 125
END CONNECTION	ANSI B16.1, CLASS 125
DESIGN	MSS SP-70, TYPE I
MILITARY	MSS SP-70, TYPE I

PRESSURE/TEMPERATURE	
125 PSI - SATURATED STEAM TO 353°F	
- FLUID TO 406°F	
200 PSI NON-SHOCK COLD WATER, OIL OR GAS	

MATERIAL LIST		
NO.	NAME OF PART	SPECIFICATION
1	BODY	CAST IRON (A126 CLASS B)
2	BONNET	CAST IRON (A126 CLASS B)
3	STEM	FORGED BRASS (B124, C37700)
4	DISC	CAST IRON (A126 CLASS B)
7	GLAND	DUCTILE IRON (A395)
8	GLAND PACKING	NON-ASBESTOS PACKING
9	HAND WHEEL	CAST IRON (A126 CLASS B)
10	WHEEL NUT	CARBON STEEL (A307 Gr. B)
16	NAME PLATE	ALUMINUM
19	GASKET	NON ASBESTOS SHEET
30	BODY SEAT RING	CAST BRONZE (B62)
33	BONNET NUT	CARBON STEEL (A307 Gr. B)
34	GLAND NUT	CARBON STEEL (A307 Gr. B)
35	BONNET BOLT	CARBON STEEL (A307 Gr. B)
36	GLAND BOLT	CARBON STEEL (A307 Gr. B)
38	BONNET BUSH	CAST BRONZE (B62)
39	SET PIN (8 - 12)	CARBON STEEL
64	STEM NUT	CAST BRONZE (B62)
66	DISC SEAT RING	CAST BRONZE (B62)
97	INDICATOR	ZINC DIE-CAST (B85)
98	PLATE	ALUMINUM
99	SET BOLT	CARBON STEEL (A307 Gr. B)



DIMENSIONS - WEIGHTS - QUANTITIES												
d2 SIZE	d	H	D1	L	l	D	BOLT HOLE			BOLT	t	APPROX. NET WT.
							C	No.	h	SIZE		
2	1.97	9.84	5.51	7.00	2.36	6.00	4.75	4	.75	5/8	.62	39
2 1/2	2.56	11.22	6.30	7.50	2.95	7.00	5.50	4	.75	5/8	.69	50
3	3.15	13.78	6.30	8.00	3.58	7.50	6.00	4	.75	5/8	.75	59
4	3.94	15.75	7.09	9.00	4.41	9.00	7.50	8	.75	5/8	.94	90
5	4.92	18.31	8.86	10.00	5.39	10.00	8.50	8	.88	3/4	.94	128
6	5.91	20.28	8.86	10.50	6.30	11.00	9.50	8	.88	3/4	1.00	174
8	7.87	24.80	11.81	11.50	8.39	13.50	11.75	8	.88	3/4	1.12	260
10	9.84	29.92	13.78	13.00	10.39	16.00	14.25	12	1.00	7/8	1.19	416
12	11.81	34.25	13.78	14.00	12.60	19.00	17.00	12	1.00	7/8	1.25	581