

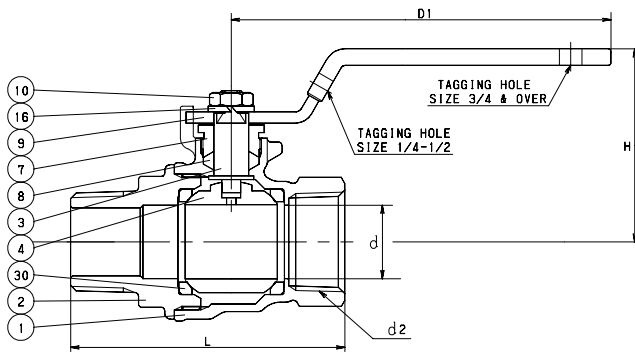
# FORGED BRASS BALL VALVE

## THREADED/SOLDER x MALE

Two Piece Body • Full Port

Chrome Plated Ball • Blowout Proof Stem • PTFE Seats and Seals

### CODE # 680 (AKTAFO) MALE x THREADED



#### STANDARDS

END TO END	KITZ
END CONNECTION	ANSI B1.20.1 / MALE
WALL THICKNESS	KITZ
CONFORMS TO MSS-SP 110	

#### PRESSURE/TEMPERATURE

150 PSI - SATURATED STEAM TO 366°F
600 PSI NON-SHOCK COLD WATER, OIL OR GAS

NOTE: PRESSURE/TEMPERATURE CHART - PAGE BV-29

#### MATERIAL LIST

NO.	NAME OF PART	SPECIFICATION
1	BODY	FORGED BRASS (B283, C37700)
2	BODY CAP (1/4" - 3/8")	BRASS ROD (B16)
	(1/2" - 1")	FORGED BRASS (B283, C37700)
3	STEM	(1) SPECIAL BRASS (KITZ "K METAL")
4	BALL	(2) FORGED BRASS (B283, C37700)
7	GLAND	BRASS ROD
8	GLAND PACKING	PTFE
9	HANDLE	(3) CARBON STEEL
10	HANDLE NUT	CARBON STEEL
16	SPRING WASHER	CARBON STEEL
30	BALL SEATS	PTFE

NOTES: (1) PROPRIETARY DEZINCIFICATION RESISTANT MATERIAL.  
(2) CR. PLATING  
(3) ELECTROPLATED ZINC WITH PLASTIC COVERING

#### DIMENSIONS - WEIGHTS - QUANTITIES

d2 SIZE	d	H	D1	L	L1	d1		APPROX. CARTON NET WT.	QTY
						Max.	Min.		
1/4	.39	1.54	3.23	2.05	-	.381	.377	48	120
3/8	.39	1.54	3.23	2.09	1.75	.506	.502	49	120
1/2	.59	1.65	3.23	2.60	2.13	.631	.627	52	96
3/4	.79	2.01	3.94	2.87	2.36	.881	.877	50	60
1	.98	2.32	5.12	3.46	2.85	1.132	1.128	51	36

#### SPECIFICATION

Approved valve shall have two piece forged brass body, blowout proof stem, PTFE seats/seals, chrome plated ball, full port design with threaded x male ends. Valves shall be pressure rated to 150 WSP/600 WOG and conform to MSS-SP 110.

KITZ Code No. 680 (AKTAFO) Threaded Ends