

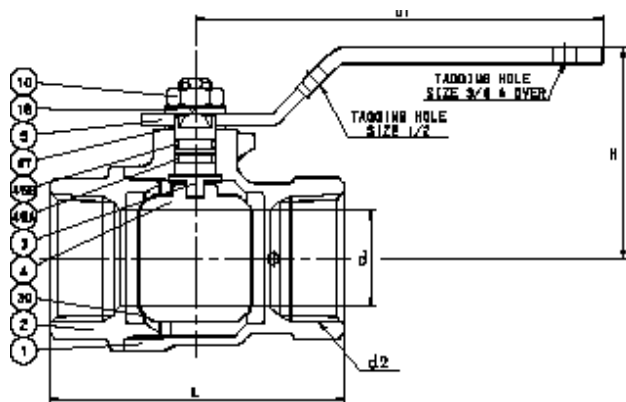
FORGED BRASS BALL VALVE

DRAINABLE

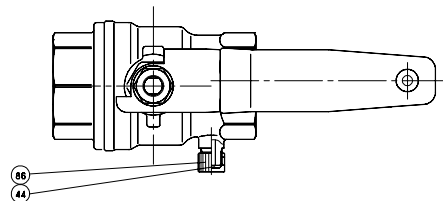
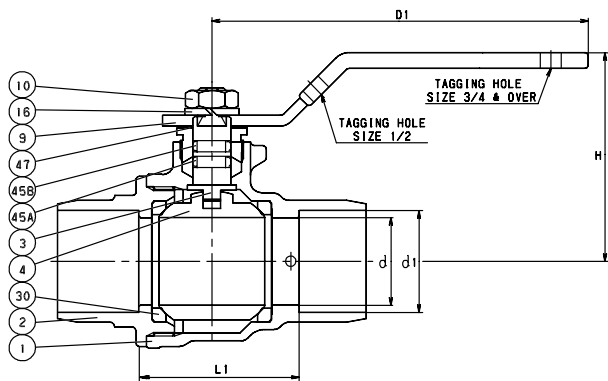
Two Piece Body • Full Port • Chrome Plated Ball
 Blowout Proof Stem • PTFE Seats • Maintenance Free Double O-Ring Stem Seals

Conforms to MSS SP-110

CODE # 68AD
FIPS x FIPS



CODE # 69AD
C x C*



STANDARDS	
END TO END	KITZ
THREADED ENDS	ANSI B1.20.1
SOLDER JOINT ENDS	ANSI B16.18
WALL THICKNESS	KITZ
DESIGN	MSS SP-110

PRESSURE/TEMPERATURE
375 PSI @ 200°F
600 PSI - NON-SHOCK COLD WATER, OIL OR GAS

*SEE VALVE INSTALLATION INSTRUCTIONS/PRESSURE TEMPERATURE LIMITATIONS FOR COPPER TUBE AND SOLDER JOINT VALVES - Page P-29 & 30.

MATERIAL LIST		
NO.	NAME OF PART	SPECIFICATION
1	BODY	FORGED BRASS (B283, C37700)
2	BODY CAP	FORGED BRASS (B283, C37700)
3	STEM	(1) SPECIAL BRASS (KITZ "K-METAL")
4	BALL	(2) FORGED BRASS (B283, C37700)
9	HANDLE	(3) CARBON STEEL
10	HANDLE NUT	CARBON STEEL
16	WASHER	CARBON STEEL
30	BALL SEATS	PTFE
44	DRAIN GASKET	NBR
45A	O-RING	FPM
45B	O-RING	NBR
47	THRUST WASHER	PBT
86	DRAIN CAP	BRASS ROD

NOTES: (1) PROPRIETARY DEZINCIFICATION RESISTANT MATERIAL.
 (2) CR. PLATING
 (3) ELECTROPLATED ZINC WITH PLASTIC COVERING

DIMENSIONS - WEIGHTS - QUANTITIES									
d2 SIZE	d	H	D1	L	L1	d1		APPROX. CARTON	
						Max.	Min.	NET WT.	QTY
1/2	.59	1.54	3.23	2.17	1.30	.631	.627	65	96
3/4	.79	1.89	3.94	2.44	1.53	.881	.877	62	60
1	.98	2.17	5.12	2.87	1.80	1.132	1.128	65	36