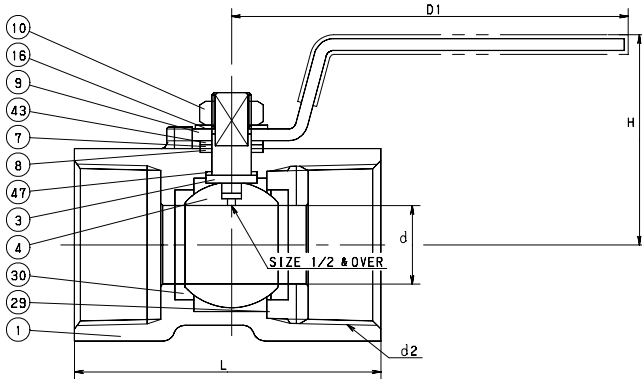


STAINLESS STEEL BALL VALVE

One Piece Body • Reduced Port
G/F+PTFE Seats and Seals • Blowout Proof Stem
Stainless Steel Lever Handle

CODE # 52 (AKUTKM) THREADED



STANDARDS	
END TO END	KITZ
THREADED ENDS	ASME B1.20.1
WALL THICKNESS	KITZ

PRESSURE/TEMPERATURE	
150 PSI - SATURATED STEAM TO 366°F	
600 PSI - NON-SHOCK COLD WATER, OIL OR GAS	

NOTE: PRESSURE/TEMPERATURE CHART - PAGE BV-49

MATERIAL LIST		
NO.	NAME OF PART	SPECIFICATION
1	BODY	STAINLESS STEEL (A351 Gr. CF8M)
3	STEM	STAINLESS STEEL (A276 TYPE 316)
4	BALL	STAINLESS STEEL (A276 TYPE 316)
7	GLAND	STAINLESS STEEL (A276 TYPE 316)
8	GLAND PACKING	G/F + PTFE
9	HANDLE	(1) STAINLESS STEEL (A276 TYPE 430)
10	SELF LOCKING NUT	STAINLESS STEEL (A276 TYPE 304)
16	SPRING WASHER	STAINLESS STEEL (A276 TYPE 304)
29	INSERT	STAINLESS STEEL (A276 TYPE 316 or A351 Gr. CF8M)
30	BALL SEATS	G/F + PTFE
43	SPRING	STAINLESS STEEL (A167 TYPE 304)
47	THRUST WASHER	REINFORCED PTFE

NOTES: (1) WITH PLASTIC COVERING

DIMENSIONS - WEIGHTS - QUANTITIES						
d2 SIZE	d	H	D1	L	APPROX. NET WT.	CARTON QTY
1/4	.20	1.22	2.36	1.54	22	120
3/8	.28	1.42	2.76	1.73	32	120
1/2	.36	1.61	3.35	2.22	51	120
3/4	.49	1.73	3.35	2.32	61	96
1	.63	1.89	3.94	2.80	54	54
1 1/4	.79	2.13	3.94	3.07	52	32
1 1/2	.96	2.56	4.92	3.27	47	24
2	1.26	2.83	4.92	3.94	52	16

SPECIFICATION

Approved valve shall have one piece stainless steel body, blowout proof stem, G/F + PTFE seats/seals, stainless steel trim, stainless steel lever handle, and reduced port design. Valves shall be pressure rated to 150 WSP/600 WOG.

KITZ Code No. 52 (AKUTKM) Threaded Ends