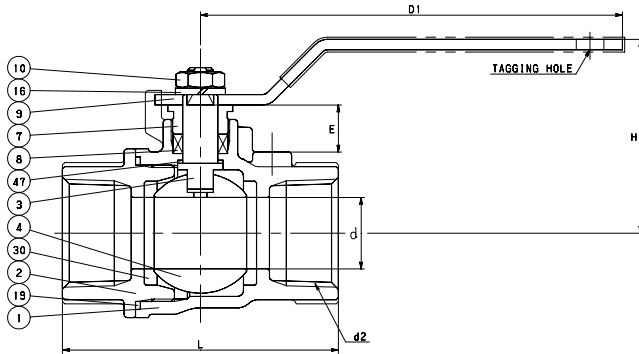


# CARBON STEEL BALL VALVE

Two Piece Body with Mounting Pad • 316 Stainless Steel Trim  
Regular Port • Blowout Proof Stem • Locking Lever Handle

**CODE # 49M (AKSCTAHM)  
THREADED**



STANDARDS	
END TO END	KITZ
END CONNECTION	ANSI B1.20.1
WALL THICKNESS	KITZ

PRESSURE/TEMPERATURE	
125 PSI - SATURATED STEAM TO 353°F	
2000 PSI (1/4"-1") - NON-SHOCK COLD WATER, OIL OR GAS	
1500 PSI (1 1/4"-2") - NON-SHOCK COLD WATER, OIL OR GAS	

NOTE: PRESSURE/TEMPERATURE CHART - PAGE BV-38

MATERIAL LIST		
NO.	NAME OF PART	SPECIFICATION
1	BODY	(1) CAST STEEL (A276 Gr. WCB)
2	BODY CAP	(1) CAST STEEL (A276 Gr. WCB)
3	STEM	STAINLESS STEEL (A276 TYPE 316)
4	BALL	STAINLESS STEEL (A276 TYPE 316)
	(2")	STAINLESS STEEL (A351 Gr. CF8M)
7	GLAND	STAINLESS STEEL (A276 TYPE304)
8	GLAND PACKING	PTFE
9	HANDLE	(2) CARBON STEEL
10	HANDLE NUT	(3) CARBON STEEL
16	WASHER	(3) CARBON STEEL
19	GASKET	PTFE
30	BALL SEAT	PTFE
47	THRUST WASHER	G/F PTFE

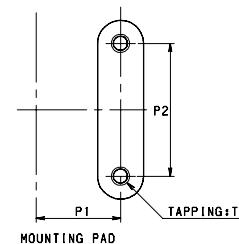
NOTES: (1) PHOSPHATING  
(2) ELECTROPLATED ZINC WITH PLASTIC COVERING  
(3) ZN. PLATING  
OVAL HANDLE OPTIONALLY AVAILABLE FOR ALL SIZES

DIMENSIONS - WEIGHTS - QUANTITIES									
d2 SIZE	d	H	D1	L	P1	P2	E	APPROX. NET WT.	CARTON QTY
1/4	.37	1.89	3.94	2.05	.50	1.12	.57	49	80
3/8	.37	1.89	3.94	2.05	.50	1.12	.57	46	80
1/2	.49	1.93	3.94	2.24	.50	1.12	.57	40	60
3/4	.69	2.20	5.12	2.99	.87	1.37	.57	60	48
1	.87	2.32	5.12	3.35	.87	1.37	.57	54	32
1 1/4	.98	2.60	5.91	4.02	.93	1.50	.59	41	16
1 1/2	1.26	2.80	5.91	4.37	.93	1.50	.59	45	12
2	1.57	3.39	7.87	5.51	.93	1.50	.59	40	6

## SPECIFICATION

Approved valve shall have two piece carbon steel body, blowout proof stem, PTFE seats/seals, stainless steel trim, locking lever handle and regular port design. Valves shall be pressure rated to 2000 WOG (1/4"-1") and 1500 WOG (1 1/4"-2").

KITZ Code No.49M (AKSCTAHM) Threaded Ends



T - 10-24 UNC (1/4"-1")  
1/4-20 UNC (1 1/4"-2")