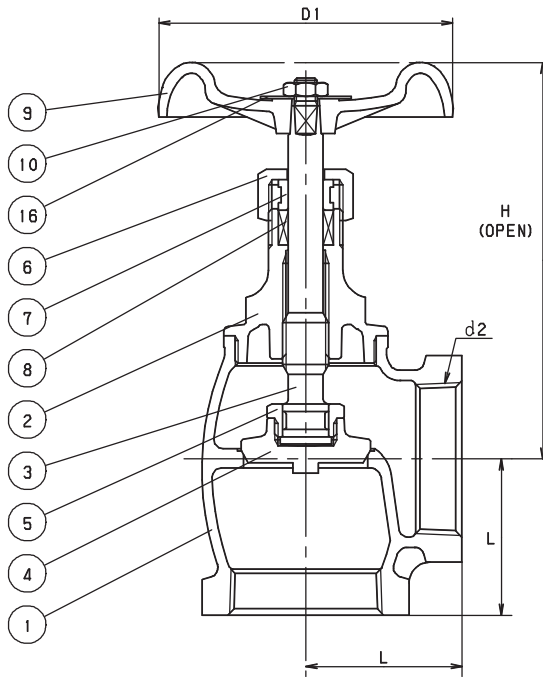


ANGLE GLOBE

CLASS 150 BRONZE

Screw-In-Bonnet • Inside Screw • Rising Stem
Bronze Disc

CODE # 38 (AKCA)
THREADED



STANDARDS	
END TO END	KITZ
THREADED ENDS	ANSI B1.20.1
DESIGN	KITZ

PRESSURE/TEMPERATURE
150 PSI - SATURATED STEAM TO 366°F - FLUID TO 406°F
300 PSI NON-SHOCK COLD WATER, OIL OR GAS

MATERIAL LIST		
NO.	NAME OF PART	SPECIFICATION
1	BODY	CAST BRONZE (B584, C84400)
2	BONNET (1/4 ~ 2 1/2)	FORGED BRASS (B283, C37700)
	(3)	CAST BRONZE (B584, C84400)
3	STEM	BRASS (KITZ "K" METAL)
4	DISC	CAST BRONZE (B584, C84400)
5	LOCK NUT	FORGED BRASS (B124, C37700)
6	PACKING NUT	FORGED BRASS (B283, C37700)
7	GLAND	BRASS ROD (B16)
8	GLAND PACKING	ARAMID FIBERS W/ GRAPHITE
9	HAND WHEEL (1/4 ~ 3/4)	ZINC DIE-CAST (B86)
	(1 ~ 3)	ALUMINUM DIE-CAST (B85)
10	WHEEL NUT	CARBON STEEL
16	NAME PLATE	ALUMINUM

DIMENSIONS • WEIGHTS • QUANTITIES						
	d2 SIZE	H	D1	L	APPROX. NET WT.	CARTON QTY
in.	1/4	2.6	1.97	0.83	0.44	80
mm.		66.0	50.0	21.1	0.2	
in.	3/8	2.68	1.97	0.95	0.51	80
mm.		68.1	50.0	24.1	0.2	
in.	1/2	3.11	2.36	1.1	0.58	60
mm.		78.0	59.9	27.9	0.3	
in.	3/4	3.66	2.76	1.34	0.98	56
mm.		92.0	70.1	34.0	0.4	
in.	1	4.09	3.15	1.57	1.42	36
mm.		103.9	80.0	39.9	0.6	
in.	1 1/4	5	3.54	1.85	2.28	25
mm.		127.0	89.9	46.0	1.0	
in.	1 1/2	5.71	3.94	2.05	3.56	16
mm.		145.0	100.1	52.1	1.6	
in.	2	6.85	4.53	2.4	6.13	8
mm.		173.0	115.1	60.0	2.8	
in.	2 1/2	7.83	5.31	2.91	8.5	6
mm.		198.9	134.9	73.9	3.9	
in.	3	8.46	6.1	3.35	11.5	4
mm.		214.9	154.9	85.1	5.2	

NOTE: NOT INTENDED FOR USE IN A POTABLE WATER SYSTEM - COMPLIANT STATEMENT

PROP 65, STATE OF CALIFORNIA