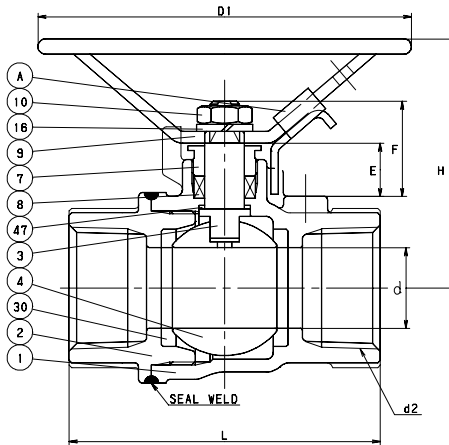


STAINLESS STEEL BALL VALVE

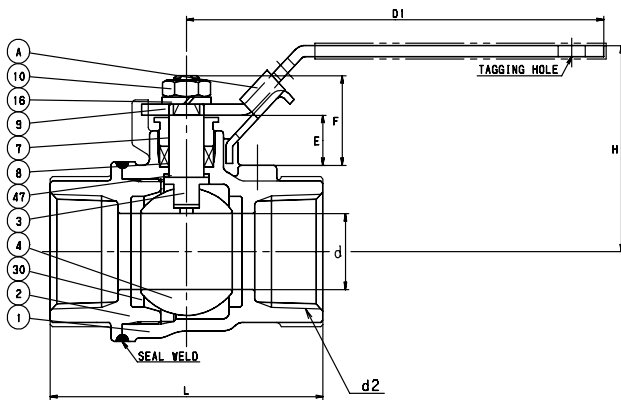
SEAL WELD/FIRE SAFE (API 607)

Two Piece Body with Mounting Pad • Regular Port
Blowout Proof Stem • NACE

CODE # 249-LOH (AKUTHWZM-FSO) LOCKING OVAL HANDLE (1/4"-1") THREADED



CODE # 249 (AKUTHWZM-FS) LOCKING LEVER HANDLE (1 1/4"-2") THREADED



SPECIFICATION

Approved valve shall have two piece seal welded stainless steel body with mounting pad, blowout proof stem, PTFE seats/seals, graphite packing, stainless steel trim, and regular port design. Valves shall be pressure rated to 2000 WOG with locking oval handle (1/4"-1") and 1500 WOG with locking lever handle (1 1/4"-2") and fire safe certified to API 607.

KITZ Code No. 249-LOH (AKUTHWZM-O)
249 (AKUTHWZM)

STANDARDS

END TO END	KITZ
END CONNECTION	ANSI B1.20.1
WALL THICKNESS	BS 5351 CLASS 800 (1/4"-1") ASME B16.34 CLASS 600 (1 1/4"-2")

PRESSURE/TEMPERATURE

(1/4"-1")	240 PSI - SATURATED STEAM TO 403°F 2000 PSI - NON-SHOCK COLD WATER, OIL OR GAS
(1 1/4"-2")	220 PSI - SATURATED STEAM TO 395°F 1500 PSI - NON-SHOCK COLD WATER, OIL OR GAS

NOTE: PRESSURE/TEMPERATURE CHART - PAGE BV-49

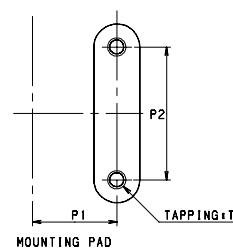
MATERIAL LIST

NO.	NAME OF PART	SPECIFICATION
1	BODY	STAINLESS STEEL (A351 Gr. CF8M)
2	BODY CAP	CAST STEEL (A351 Gr. CF8M)
3	STEM	STAINLESS STEEL (A276 TYPE 316)
4	BALL	STAINLESS STEEL (A276 TYPE 316)
7	GLAND	STAINLESS STEEL (A276 TYPE 304)
8	GLAND PACKING	FLEXIBLE GRAPHITE
9	HANDLE	(1) STAINLESS STEEL (A276 TYPE 304)
10	HANDLE NUT	STAINLESS STEEL (A194 Gr. 8)
16	WASHER (1/2"-2")	STAINLESS STEEL (A276 TYPE 304)
30	BALL SEATS	HYPATITE PTFE
47	THRUST WASHER	G/F PTFE
A	LATCH LOCK	STAINLESS STEEL (A276 TYPE 304)

NOTES: (1) WITH PLASTIC COVERING
LEVER AND OVAL HANDLE OPTIONALLY AVAILABLE

DIMENSIONS - WEIGHTS - QUANTITIES

d2 SIZE	d	H	D1	L	P1	P2	E	F	APPROX. NET WT.	CTN QTY
1/4	.38	2.24	3.94	2.08	0.5	1.12	.394	.728	17	24
3/8	.46	2.24	3.94	2.08	0.5	1.12	.425	.760	17	24
1/2	.50	2.45	3.94	2.40	0.5	1.12	.524	.957	16	18
3/4	.59	2.51	3.94	2.71	0.87	1.37	.496	.929	22	18
1	.78	2.63	3.94	3.25	0.87	1.37	.618	1.189	25	12
1 1/4	1.00	2.65	5.31	3.54	0.93	1.5	.614	1.185	66	30
1 1/2	1.26	3.40	6.14	4.13	0.93	1.5	.858	1.449	58	16
2	1.50	3.64	7.48	4.61	0.93	1.5	.831	1.421	68	12



T - 10-24 UNC (1/4"-1")
1/4-20 UNC (1 1/4"-2")