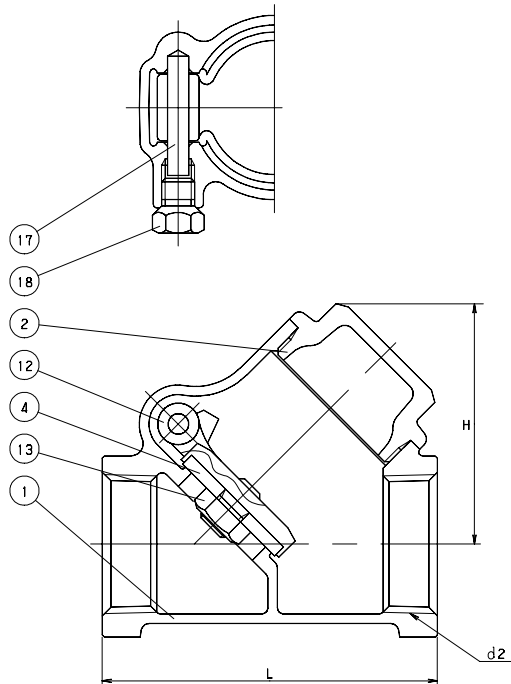


CHECK

CLASS 125 BRONZE

Screw Cap • Integral Seat • PTFE Disc
Y-Pattern Swing Type

CODE # 22T (AKYRT) THREADED



STANDARDS

END TO END	KITZ
THREADED ENDS	ANSI B1.20.1
DESIGN	MSS SP-80, TYPE 4
MILITARY	MSS SP-80, TYPE 4

PRESSURE/TEMPERATURE

125 PSI - SATURATED STEAM TO 353°F
- FLUID TO 406°
200 PSI NON-SHOCK COLD WATER, OIL OR GAS

MATERIAL LIST

NO.	NAME OF PART	SPECIFICATION
1	BODY	CAST BRONZE (ASTM B62)
2	CAP	FORGED BRASS (B283, C37700)
4	DISC	PTFE
12	DISC HOLDER	CAST BRONZE (B62)
13	DISC NUT (1/2 ~ 1)	BRASS ROD (B16)
	(1 1/4 ~ 2)	FORGED BRASS (B283, C37700)
17	HINGE PIN	COPPER
18	PLUG	BRASS ROD (B16)

DIMENSIONS - WEIGHTS - QUANTITIES

d2 SIZE	H	L	APPROX. NET WT.	CARTON QTY
1/2	1.57	2.20	0.53	96
3/4	1.93	2.76	0.89	60
1	2.28	3.15	1.30	48
1 1/4	2.80	3.74	1.87	24
1 1/2	3.15	4.33	2.70	18
2	3.74	5.04	4.14	12