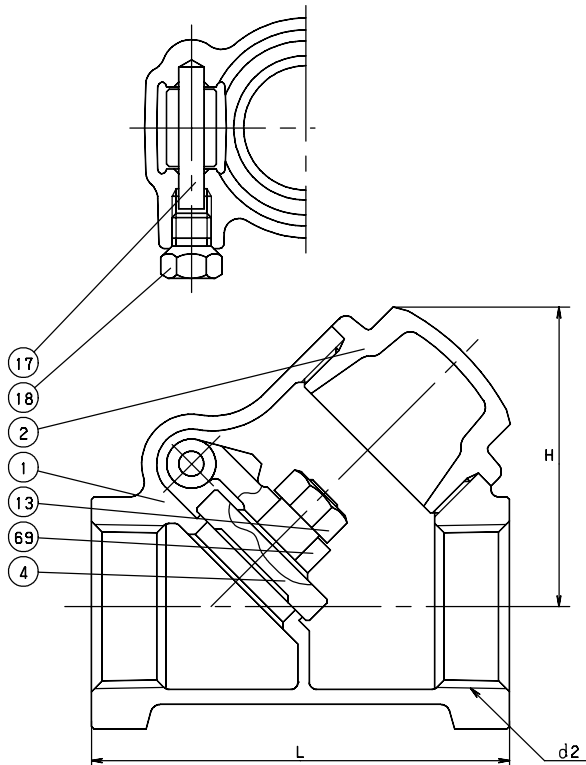


# CHECK CLASS 300 BRONZE

Y-Pattern Swing Check • Integral Seat  
Swing Type Disc

**CODE # 19 (AK300YR)  
THREADED**



### STANDARDS

END TO END	KITZ
THREADED ENDS	ANSI B1.20.1
DESIGN	MSS SP-80, TYPE 3
MILITARY	MSS SP-80, TYPE 3

### PRESSURE/TEMPERATURE

300 PSI - SATURATED STEAM TO 421°F  
- FLUID TO 550°F  
600 PSI NON-SHOCK COLD WATER, OIL OR GAS

### MATERIAL LIST

NO.	NAME OF PART	SPECIFICATION
1	BODY	CAST BRONZE (ASTM B61)
2	CAP	CAST BRONZE (ASTM B61)
4	DISC	CAST BRONZE (ASTM B61)
13	DISC NUT	BRASS ROD (B16)
17	HINGE PIN	COPPER
18	PLUG	BRASS ROD (B16)
69	ARM	CAST BRONZE (ASTM B61)

### DIMENSIONS - WEIGHTS - QUANTITIES

d2 SIZE	H	L	APPROX. NET WT.	CARTON QTY
1/2	1.65	2.36	0.76	80
3/4	2.01	2.83	1.15	48
1	2.40	3.31	1.78	36
1 1/4	2.91	3.90	3.00	24
1 1/2	3.27	4.45	3.94	16
2	3.86	5.16	6.25	8