

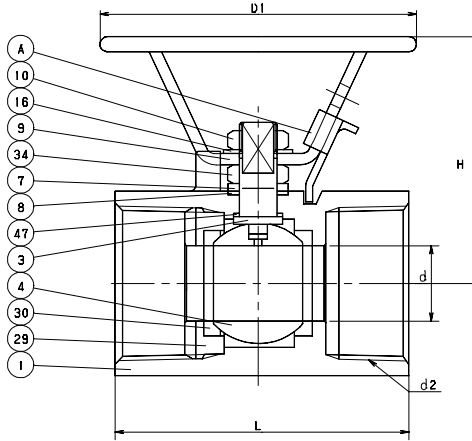
STAINLESS STEEL BALL VALVE

FIRE SAFE (API 607)

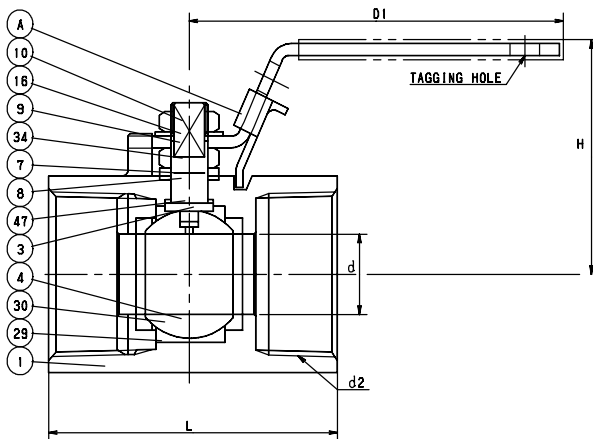
One Piece Body with Mounting Pad • Reduced Port
Blowout Proof Stem • NACE

STAINLESS STEEL BALL VALVES

CODE # 129-LOH (AKUTKZM-FSO)
LOCKING OVAL HANDLE (1/4"-1")
THREADED



CODE # 129 (AKUTKZM-FS)
LOCKING LEVER HANDLE (1 1/4"-2")
THREADED



STANDARDS	
END TO END	KITZ
END CONNECTION	ASME B1.20.1
WALL THICKNESS	KITZ

PRESSURE/TEMPERATURE	
(1/4"-1")	240 PSI - SATURATED STEAM TO 403°F 2000 PSI - NON-SHOCK COLD WATER, OIL OR GAS
(1 1/4"-2")	220 PSI - SATURATED STEAM TO 395°F 1500 PSI - NON-SHOCK COLD WATER, OIL OR GAS

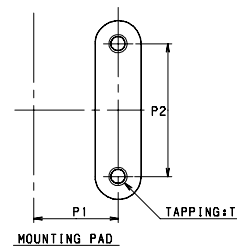
NOTE: PRESSURE/TEMPERATURE CHART - PAGE BV-49

MATERIAL LIST		
NO.	NAME OF PART	SPECIFICATION
1	BODY	STAINLESS STEEL (A351 Gr. CF8M)
3	STEM	STAINLESS STEEL (A276 TYPE 316)
4	BALL	STAINLESS STEEL (A276 TYPE 316)
7	GLAND	STAINLESS STEEL (A276 TYPE 304)
8	GLAND PACKING	FLEXIBLE GRAPHITE
9	HANDLE	(1) STAINLESS STEEL (A276 TYPE 304)
10	NUT	STAINLESS STEEL (A194 Gr. 8)
16	WASHER (1/4", 3/8", 1"-2")	STAINLESS STEEL (A276 TYPE 304)
29	INSERT	STAINLESS STEEL (A351 Gr. CF8M)
30	BALL SEATS	HYPATITE PTFE
34	NUT	STAINLESS STEEL (A194 Gr. 8)
47	THRUST WASHER (1/2"-2")	STAINLESS STEEL (A276 TYPE 304)

NOTES: (1) WITH PLASTIC COVERING
LEVER AND OVAL HANDLE OPTIONALLY AVAILABLE FOR ALL SIZES

DIMENSIONS - WEIGHTS - QUANTITIES								
d2 SIZE	d	H	D1	L	P1	P2	APPROX. NET WT.	CARTON QTY
1/4	.18	1.69	3.94	1.97	-	-	16	24
3/8	.27	1.85	3.94	2.05	-	-	16	24
1/2	.36	2.13	3.94	2.56	.50	1.12	20	24
3/4	.49	2.24	3.94	2.76	.57	1.37	26	24
1	.59	2.36	3.94	3.15	.87	1.37	34	24
1 1/4	.79	2.52	4.33	3.74	1	1.50	58	30
1 1/2	.98	2.68	5.51	3.94	1	1.50	51	18
2	1.26	2.95	5.51	4.49	1	1.50	51	10

T - 10-24 UNC (1/2"-1")
1/4-20 UNC (1 1/4"-2")



SPECIFICATION

Approved valve shall have one piece stainless steel body with mounting pad, blowout proof stem, PTFE seats, graphite packing, stainless steel trim, and reduced port design. Valves shall be pressure rated to 2000 WOG with locking oval handle (1/4"-1") and 1500 WOG with locking lever handle (1 1/4"-2") and fire safe certified to API 607.

KITZ Code No. 129-LOH (AKUTKZM-FSO)
129 (AKUTKZM-FS)