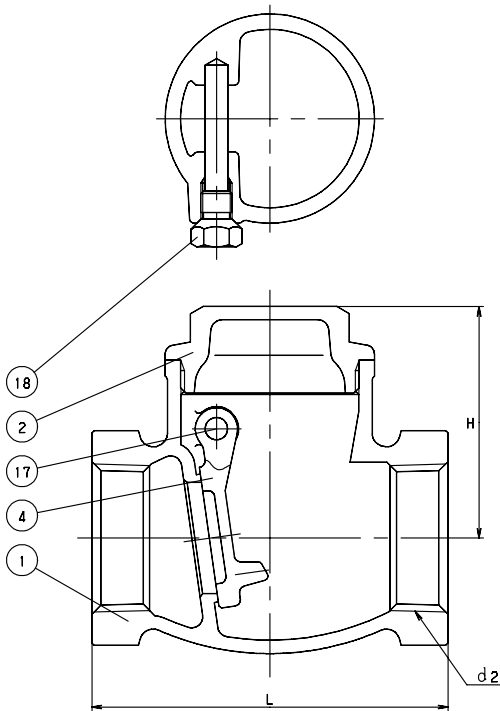


**CHECK****CLASS 125 BRONZE**Screw Cap • Integral Seat • Horizontal Swing Type Disc  
T-Pattern**CODE # 04 (AKR)  
THREADED****STANDARDS**

END TO END	KITZ
THREADED ENDS	ANSI B1.20.1
DESIGN	MSS SP-80, Type 3

**PRESSURE/TEMPERATURE**

125 PSI - SATURATED STEAM TO 353°F - FLUID TO 406°F 200 PSI NON-SHOCK COLD WATER, OIL OR GAS
--

**MATERIAL LIST**

NO.	NAME OF PART	SPECIFICATION
1	BODY	CAST BRONZE (B62)
2	CAP (3/8 - 3)	FORGED BRASS (B283, C37700)
	(4)	CAST BRONZE (B62)
4	DISC (3/8 - 3)	FORGED BRASS (B283, C37700)
	(4)	CAST BRONZE (B62)
17	HINGE PIN	FORGED BRASS (B16)
18	PLUG	BRASS ROD (B16)

**DIMENSIONS - WEIGHTS - QUANTITIES**

d2 SIZE	H	L	APPROX. NET WT.	CARTON QTY
3/8	1.54	2.09	0.53	96
1/2	1.54	2.36	0.68	96
3/4	1.77	2.76	1.00	60
1	2.05	3.15	1.54	48
1 1/4	2.44	3.62	2.33	24
1 1/2	2.64	4.02	3.00	18
2	3.11	4.80	4.92	12
2 1/2	3.58	5.91	7.75	8
3	4.02	6.50	10.33	6
4	4.69	7.68	16.00	4