



KITZ Corporation Of America
800-772-0073 • www.KITZ.com

Design - B16.34, OS&Y, BB, RFF, Swivel Type Plug Disc, LEV - 100 PPM max.
Body Materials - ASTM A351, A494, A890, A990, others upon request

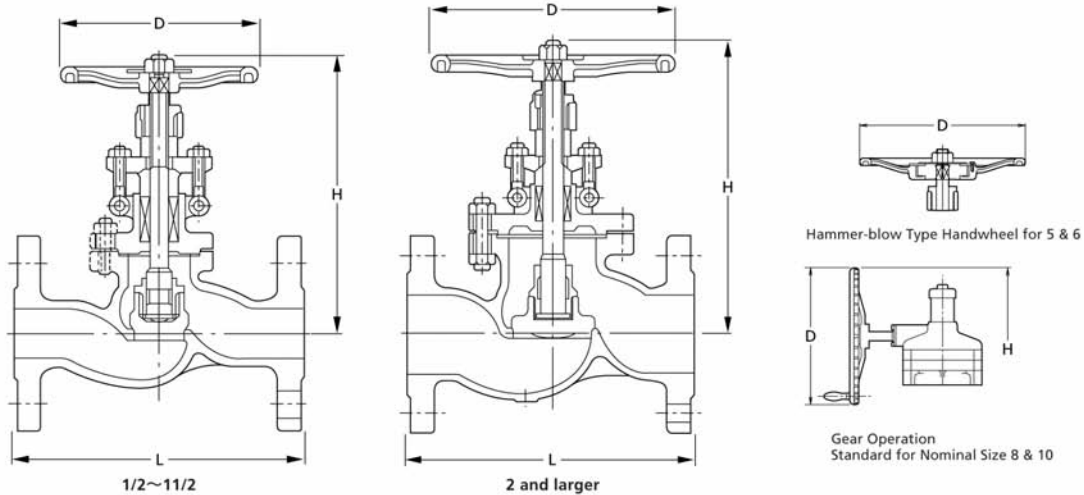
Class 300

GLOBE VALVE

Pressure-Temperature Rating: ASME B 16.34

300UPA

300UPAM



Materials

Parts	300UPA	300UPAM
Body	CF8	CF8M
Bonnet	CF8	CF8M
Stem	304	316
Disc	1/2 to 1 1/2 304	316
	2 to 10 CF8	CF8M
Lock nut	1/2 to 1 1/2 304	316
	2 to 10 CF8	CF8M
Gland	304	316
Gland flange	CF8	
Gland packing	Refer to Page 10	
Gasket	Refer to Page 10	
Yoke bush	Ductile Ni-resist	
Handwheel	Ductile iron	
Gland bolt/nut	B8/8	
Gland bolt pin	403	
Bonnet bolt/nut	B8/8	
Name plate	Aluminum	

Note: Body seats and/or disc seats can be optionally hard-faced.
Hammer-blow type handwheel for size 5 and 6

Items	
Face-to-Face Dimensions	ASME B16.10
End Flange Dimensions	ASME B16.5
Wall Thickness	ASME B16.34 Class 300

Nominal Size		1/2	3/4	1	1 1/2	2	2 1/2	3	4	5	6	8	10
		15	20	25	40	50	65	80	100	125	150	200	250
L	in.	6.00	7.00	8.00	9.00	10.50	11.50	12.50	14.00	15.75	17.50	22.00	24.50
	mm	152	178	203	229	267	292	318	356	400	444	559	622
H (open)	in.	9.3	7.3	7.4	9.3	11.4	11.7	13.5	15.7	19.4	22.2	34.8	41.5
	mm	186	186	187	236	289	297	343	398	493	564	883	1054
D	in.	3.9	3.9	3.9	6.3	7.1	7.9	9.8	11.8	13.8	15.8	19.7	23.6
	mm	100	100	100	160	180	200	250	300	350	400	500	600



KITZ Corporation Of America
800-772-0073 • www.KITZ.com

Design - B16.34, OS&Y, BB, RFF, Swivel Type Plug Disc, LEV - 100 PPM max.
Wall Thickness - API 600
Body Materials - ASTM A351, A494, A890, A990, others upon request

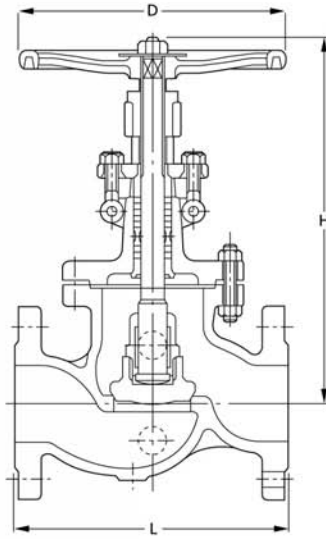
Class 300

GLOBE VALVE

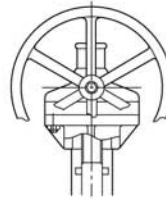
Pressure-Temperature Rating: ASME B 16.34

300UPC

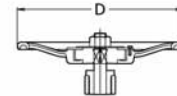
300UPCM



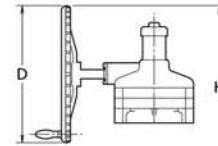
Disc 2 and larger



Disc 1 1/2 and smaller



Hammer-blow Type Handwheel for 6



Gear Operation
Standard for Nominal Size 8 & 10



Materials

Parts	300UPC	300UPCM
Body*	CF8	CF8M
Bonnet	CF8	CF8M
Stem	304	316
Disc*	CF8/304	CF8M/316
Lock nut	CF8/304	CF8M/316
Gland	316	
Gland flange	CF8	
Gland packing	Refer to Page 10	
Gasket	Refer to Page 10	
Yoke bush	Ductile Ni-resist	
Handwheel	Ductile iron	
Gland bolt/nut	B8/8	
Gland bolt pin	403	
Bonnet bolt/nut	B8/8	
Name plate	Aluminum	
Collar	316	

*Body seats and/or disc seats can be optionally hard-faced.
Note: Renewable seats are optionally available for size 2 and larger.

Gear operation for size 8 to 12
Hammer-blow type handwheel for size 6

Items	
Face-to-Face Dimensions	ASME B16.10
End Flange Dimensions	ASME B16.5
Wall Thickness	API 600 Class300

Nominal Size		1/2	3/4	1	1 1/2	2	2 1/2	3	4	6	8
		15	20	25	40	50	65	80	100	150	200
L	in.	6.00	7.00	8.00	9.00	10.50	11.50	12.50	14.00	17.50	22.00
	mm	152	178	203	229	267	292	318	356	444	559
H (open)	in.	8.7	8.9	10.1	11.9	13.9	15.8	17.3	20.0	26.7	41.9
	mm	220	222	259	302	352	400	440	509	677	1064
D	in.	3.9	3.9	5.5	7.1	7.9	9.8	9.8	13.8	17.7	19.7
	mm	100	100	140	180	200	250	250	350	450	500