

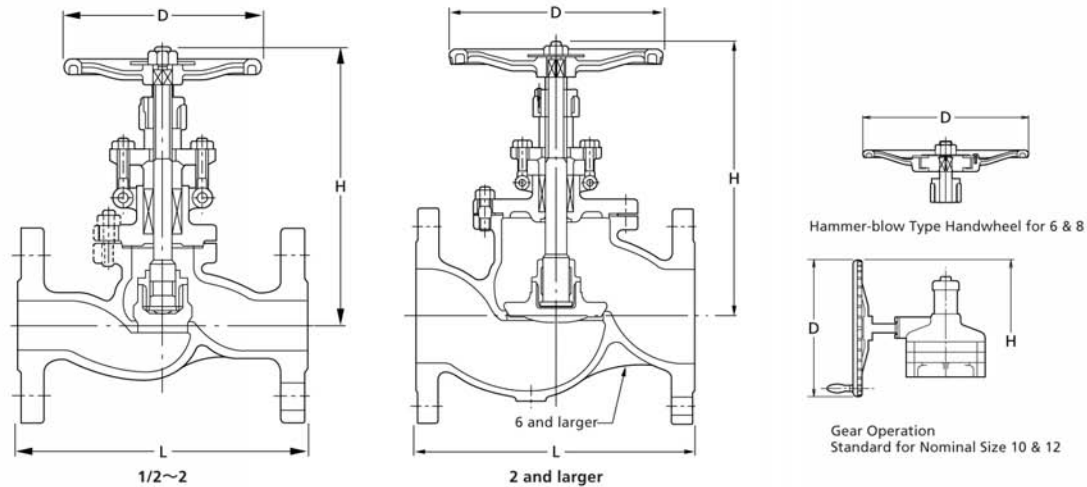
## Class 150

## GLOBE VALVE

Pressure-Temperature Rating: ASME B 16.34

150UPA

150UPAM



### Materials

Parts	150UPA	150UPAM
Body	CF8	CF8M
Bonnet	CF8	CF8M
Stem	304	316
Disc	304	316
	CF8	CF8M
Disc holder	—	—
Gland	304	316
Gland flange	CF8	
Gland packing	Refer to Page 10	
Gasket	Refer to Page 10	
Yoke bush	Ductile Ni-resist	
Handwheel	Ductile iron	
Gland bolt/nut	B8/8	
Bonnet bolt/nut	B8/8	
Name plate	Aluminum	

Note: \* Body seats and/or disc seats can be optionally hard-faced.  
Hammer-blow type handwheel  
for 6 and 8



Items	
Face-to-Face Dimensions	ASME B16.10
End Flange Dimensions	ASME B16.5
Wall Thickness	ASME B16.34 Class 150

Nominal Size	1/2	3/4	1	1 1/2	2	2 1/2	3	4	5	6	8	10	12	
	15	20	25	40	50	65	80	100	125	150	200	250	300	
L	in.	4.25	4.26	5.00	6.50	8.00	8.50	9.50	11.50	14.00	16.00	19.50	24.50	27.50
	mm	108	117	127	165	203	216	241	292	356	406	495	622	698
H (open)	in.	7.8	6.6	6.8	8.1	9.3	9.8	11.5	12.8	15.0	17.8	22.0	40.7	41.4
	mm	168	168	173	205	235	248	291	325	380	453	559	1034	1051
D	in.	3.5	3.5	3.9	5.5	6.3	7.1	7.9	8.9	9.8	13.8	15.7	19.7	19.7
	mm	90	90	100	140	160	180	200	225	250	350	400	500	500



KITZ Corporation Of America  
800-772-0073 • www.KITZ.com

Design - B16.34, OS&Y, BB, RFF, Swivel Type Plug Disc, LEV - 100 PPM max.  
Wall Thickness - API 600  
Body Materials - ASTM A351, A494, A890, A990, others upon request

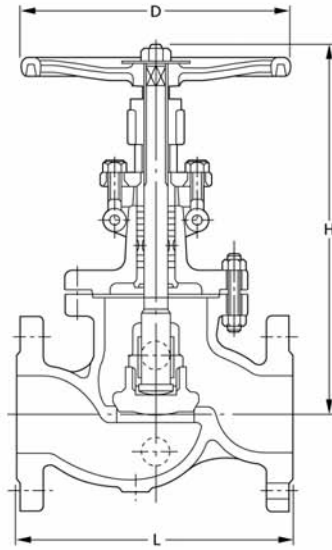
**Class 150**

**GLOBE VALVE**

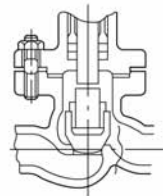
Pressure-Temperature Rating: ASME B 16.34

150UPC

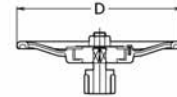
150UPCM



Disc 2 and larger



Disc 1 1/2 and smaller



Hammer-blow Type Handwheel  
Standard for Nominal Size 6 & 8



**Materials**

Parts	150UPC	150UPCM
Body*	CF8	CF8M
Bonnet	CF8	CF8M
Stem	304	316
Disc*	CF8/304	CF8M/316
Lock nut	CF8/304	CF8M/316
Gland	304	316
Gland flange	CF8	
Gland packing	Refer to Page 10	
Gasket	Refer to Page 10	
Yoke bush	Ductile Ni-resist	
Handwheel	Ductile iron	
Gland bolt/nut	B8/8	
Gland bolt pin	403	
Bonnet bolt/nut	B8/8	
Name plate	Aluminum	

\*Body seats and/or disc seats can be optionally hard-faced.  
Note: Renewable seats are optionally available for size 2 and larger.  
**Hammer-blow type handwheel**  
for size 6 and 8

Items	
Face-to-Face Dimensions	ASME B16.10
End Flange Dimensions	ASME B16.5
Wall Thickness	API 600 Class150

Nominal Size	1/2	3/4	1	1 1/2	2	2 1/2	3	4	6	8	
	15	20	25	40	50	65	80	100	150	200	
L	in.	4.25	4.62	5.00	6.50	8.00	8.50	9.50	11.50	16.00	19.50
	mm	108	117	127	165	203	216	241	292	406	495
H (open)	in.	7.7	8.0	9.1	10.8	12.9	14.1	15.4	17.95	19.9	24.1
	mm	196	202	233	273	328	359	390	456	506	613
D	in.	3.5	3.9	4.7	6.3	7.9	8.9	9.8	9.8	13.8	15.8
	mm	90	100	120	160	200	225	250	250	350	400