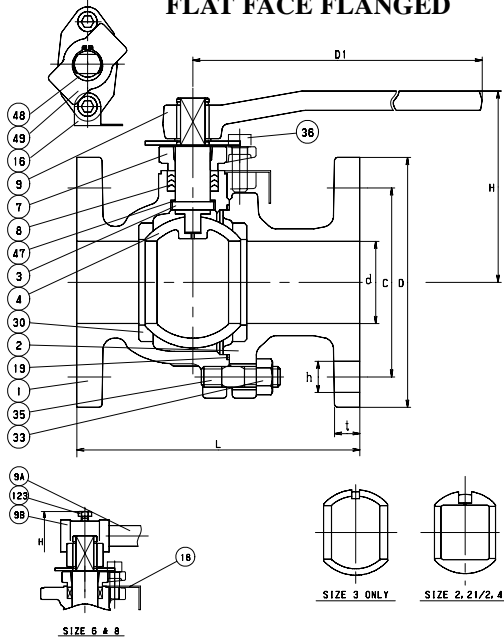


# CAST IRON BALL VALVE

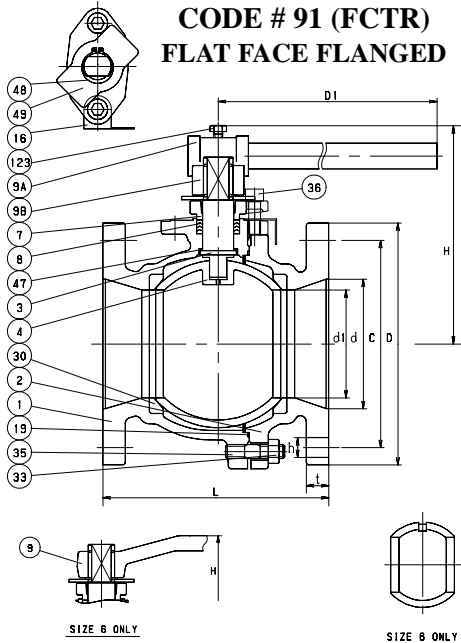
## CLASS 125

Two Piece Body • Blowout Proof Stem  
Full Port (#90) / Regular Port (#91)

### CODE # 90 (FCTB) FLAT FACE FLANGED



### CODE # 91 (FCTR) FLAT FACE FLANGED



#### SPECIFICATION

Approved valve shall have Class 125 WSP/200 WOG cast iron body, CF8 stainless steel trim, blowout proof stem, PTFE seats and seals with flat face flanged ends and conforming to MSS SP-72, ASME B16.1, ASME B16.10.

KITZ Code # 90 (125FCTB) Full Port  
KITZ Code # 91 (125FCTR) Standard Port

#### STANDARDS

END TO END	ASME B16.10 CLASS 125/150
END CONNECTION	ASME B16.1 CLASS 125
WALL THICKNESS	KITZ
CONFORMS TO MSS SP72	

#### PRESSURE/TEMPERATURE

125 PSI - SATURATED STEAM TO 353°F  
200 PSI - NON-SHOCK COLD WATER, OIL OR GAS

NOTE: PRESSURE/TEMPERATURE CHART - PAGE BV-52

#### MATERIAL LIST

NO.	NAME OF PART	SPECIFICATION
1	BODY	CAST IRON (A126 Cl. B)
2	BODY CAPS	CAST IRON (A126 Cl. B)
3	STEM	STAINLESS STEEL (A276 TYPE 304)
4	BALL	STAINLESS STEEL (A276, TYPE 304 or A351 Gr. CF8)
7	GLAND	DUCTILE IRON
8	GLAND PACKING (1 SET)	PTFE
9	HANDLE	DUCTILE IRON
9A	HANDLE BAR	CARBON STEEL (6"-10")
9B	HANDLE HEAD	DUCTILE IRON (6"-10")
16A	NAME PLATE	ALUMINUM
16B	WASHER	CARBON STEEL
19	GASKET	PTFE
30	BALL SEATS	PTFE
33	CAP NUT (1 SET)	CARBON STEEL
35	CAP BOLT (1 SET)	CARBON STEEL
36	GLAND BOLT (1 SET)	CARBON STEEL
47	THRUST WASHER	G/F + PTFE
48	SNAP RING	CARBON STEEL
49	STOPPER	STAINLESS STEEL
123	HANDLE BOLT	CARBON STEEL (6"-10")

#### DIMENSIONS - WEIGHTS - QUANTITIES

d2 SIZE	d	H	D1	L	BOLT NO.	BOLT SIZE	APPROX. NET WT.	CARTON QTY
<b>#90 - Full Port</b>								
2	1.97	4.72	9.06	7.01	4	5/8	22	1
2 1/2	2.56	6.02	15.75	7.48	4	5/8	37	1
3	3.15	6.38	15.75	7.99	4	5/8	46	1
4	3.94	7.52	18.11	9.02	8	5/8	70	1
6	5.91	11.42	39.37	15.51	8	3/4	174	1
8	7.87	13.39	59.06	17.99	8	3/4	244	1
<b>#91 - Standard Port</b>								
6	4.92	8.31	18.11	10.51	8	3/4	119	1
8	5.91	11.42	39.37	11.50	8	3/4	178	1
10	7.87	13.39	59.06	12.99	12	7/8	262	1