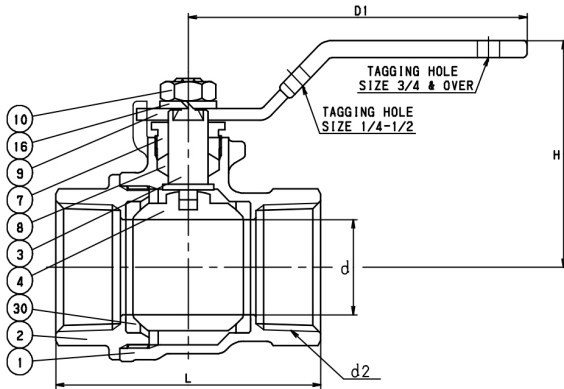


# LEAD-FREE COPPER ALLOY BALL

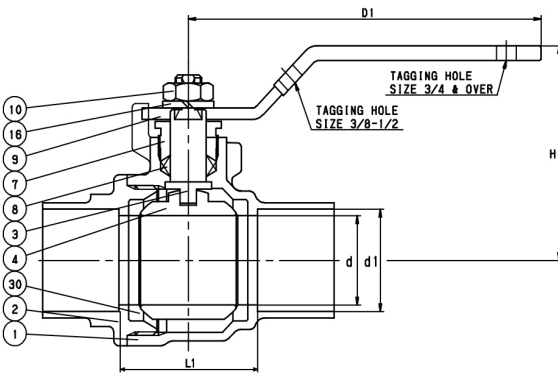
Two-Piece Body • Full Port • Vented Ball • Blowout Proof Stem • PTFE Seats and Seals

\*NSF/ANSI 61-G & NSF/ANSI 372

## CODE #868 (AKTAFN) THREADED (1/4"-2")



## CODE #869† (CTAFN) SOLDER (3/8"-2")



### STANDARDS

END TO END	KITZ STD.
THREADED ENDS	ASME B1.20.1
SOLDER ENDS	ASME B16.18†
WALL THICKNESS	KITZ STD.
DESIGN	MSS SP-110

### PRESSURE - TEMPERATURE

600 PSI - NON-SHOCK COLD WORKING PRESSURE (CWP)†  
325 PSI at 212°F NON-SHOCK - 150 PSI WORKING STEAM PRESSURE (WSP)

### MATERIAL LIST

NO.	NAME OF PART	SPECIFICATION
1	BODY	LF FORGED BRASS (C46750)
2	BODY CAP	LF FORGED BRASS (C46750)
3	STEM	LF BRASS ROD (C46750)
4	BALL (Vented)	(1) LF FORGED BRASS (C46750) $\leq 3/4"$ STAINLESS STEEL (304) $\geq 1"$
7	GLAND	BRASS ROD (B16)
8	GLAND PACKING	PTFE
9	HANDLE	(2) CARBON STEEL
10	HANDLE NUT	CARBON STEEL
16	SPRING WASHER	CARBON STEEL
30	BALL SEAT	PTFE

#### NOTES:

- (1) SnNi PLATED
- (2) ELECTROPLATED COATING OF ZINC AND PLASTIC COVERING
- † P-T LIMITS FOR SOLDER JOINT VALVES PER ASME B16.18

### DIMENSIONS & WEIGHTS

SIZE d2	d	H	D1	L	L1	d1		Wt. Lb/Kg	Crtn Qty	
						Max	Min			
in	1/4	0.39	1.54	3.23	1.61	-	-	0.40	120	
mm		9.9	39.1	82.0	40.9	-	-	0.2		
in	3/8	0.39	1.54	3.23	1.65	1.05	0.506	0.502	0.40	120
mm		9.9	39.1	82.0	41.9	26.7	12.9	12.8	0.2	
in	1/2	0.59	1.65	3.23	2.09	1.13	0.631	0.627	0.54	96
mm		15.0	41.9	82.0	53.1	28.7	16.0	15.9	0.2	
in	3/4	0.79	2.01	3.94	2.36	1.37	0.881	0.877	0.83	60
mm		20.1	51.1	100.1	59.9	34.8	22.4	22.3	0.4	
in	1	0.98	2.32	5.12	2.83	1.64	1.132	1.128	1.42	36
mm		24.9	58.9	130.0	71.9	41.7	28.8	28.7	0.6	
in	1 1/4	1.26	2.52	5.12	3.23	2	1.382	1.378	2.08	24
mm		32.0	64.0	130.0	82.0	50.8	35.1	35.0	0.9	
in	1 1/2	1.57	2.87	5.91	3.62	2.35	1.633	1.628	3.38	16
mm		39.9	72.9	150.1	91.9	59.7	41.5	41.4	1.5	
in	2	1.97	3.15	5.91	4.13	2.83	2.133	2.128	4.50	16
mm		50.0	80.0	150.1	104.9	71.9	54.2	54.1	2.0	



Certified to  
NSF/ANSI 61-G

\*Product complies with NSF/ANSI Standard 61 Annex G, NSF/ANSI Standard 372 and conforms with lead content requirements for "lead free" plumbing as defined by California, Vermont, Maryland, and Louisiana state laws and the U.S. Safe Drinking Water Act that went into effect January 2014.