

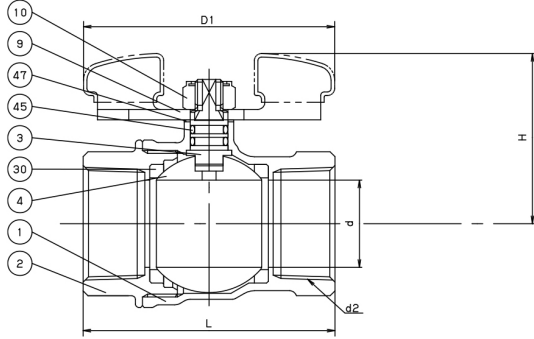
LEAD-FREE COPPER ALLOY BALL

MAINTENANCE FREE DOUBLE O-RING STEM SEALS • WING HANDLE

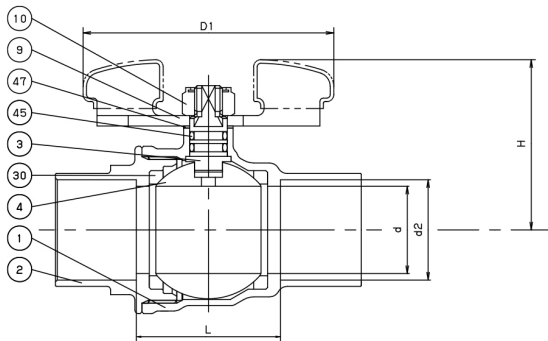
Two-Piece Body • Full Port • Plated or Stainless / Vented Ball • Blowout Proof Stem • PTFE Seats

*NSF/ANSI 61-G & NSF/ANSI 372

CODE #858W (AKSZANW) THREADED (1/4"-2")



CODE #859W† (CSZANW) SOLDER (3/8"-2")



STANDARDS

END TO END	KITZ STD.
THREADED ENDS	ASME B1.20.1
SOLDER ENDS	ASME B16.18†
WALL THICKNESS	KITZ STD.
DESIGN	MSS SP-110

PRESSURE - TEMPERATURE

600 PSI NON-SHOCK COLD WORKING PRESSURE (CWP)†
150 PSI WORKING STEAM PRESSURE (WSP)

MATERIAL LIST

NO.	NAME OF PART	SPECIFICATION
1	BODY	LF FORGED BRASS (C46750)
2	BODY CAP	LF FORGED BRASS (C46750)
3	STEM	LF BRASS ROD (C46750)
4	BALL (Vented)	(1) LF FORGED BRASS (C46750) (≤3/4") STAINLESS STEEL (304) (≥1")
9	HANDLE	(2) CARBON STEEL
10	HANDLE NUT	CARBON STEEL
30	BALL SEAT	PTFE
45	O-RING	FKM
47	THRUST WASHER	PBT

NOTES:

- (1) SnNi PLATED
- (2) ELECTROPLATED COATING OF ZINC AND PLASTIC COVERING

† P-T LIMITS FOR SOLDER JOINT VALVES PER ASME B16.18

DIMENSIONS & WEIGHTS

SIZE	d2	d	H	D1	L	L1	d1		Wt. Lb/Kg	Crtn Qty
							Max	Min		
in	1/4	0.39	1.46	2.17	1.65	-	-	-	0.25	120
mm		9.9	37.1	55.1	41.9	-	-	-	0.11	
in	3/8	0.39	1.46	2.17	1.65	1.04	0.506	0.502	0.25	120
mm		9.9	37.1	55.1	41.9	26.4	12.9	12.8	0.11	
in	1/2	0.59	1.57	2.76	2.08	1.13	0.631	0.627	0.30	96
mm		15.0	39.9	70.1	52.8	28.7	16.0	15.9	0.14	
in	3/4	0.79	1.69	2.76	2.36	1.37	0.881	0.877	0.75	60
mm		20.1	42.9	70.1	59.9	34.8	22.4	22.3	0.3	
in	1	0.98	1.97	3.94	2.83	1.64	1.132	1.128	1.67	36
mm		24.9	50.0	100.1	71.9	41.7	28.8	28.7	0.76	
in	1 1/4	1.26	2.16	3.94	3.31	1.99	1.382	1.378	2.83	24
mm		32.0	54.9	100.1	84.1	50.6	35.1	35.0	1.29	
in	1 1/2	1.57	2.52	5.12	3.62	2.35	1.633	1.628	3.125	16
mm		39.9	64.0	130.0	91.9	59.7	41.5	41.4	1.42	
in	2	1.97	2.83	5.12	4.33	2.85	2.133	2.128	4.44	16
mm		50.0	71.9	130.0	110.0	72.4	54.2	54.1	2.01	



Certified to
NSF/ANSI 61-G

*Product complies with NSF/ANSI Standard 61 Annex G, NSF/ANSI Standard 372 and conforms with lead content requirements for "lead free" plumbing as defined by California, Vermont, Maryland, and Louisiana state laws and the U.S. Safe Drinking Water Act that went into effect January 2014.