

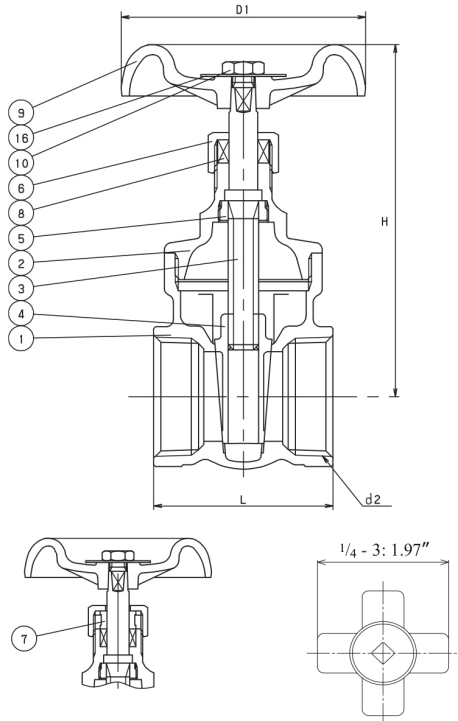
# LEAD-FREE COPPER ALLOY GATE

## CLASS 125

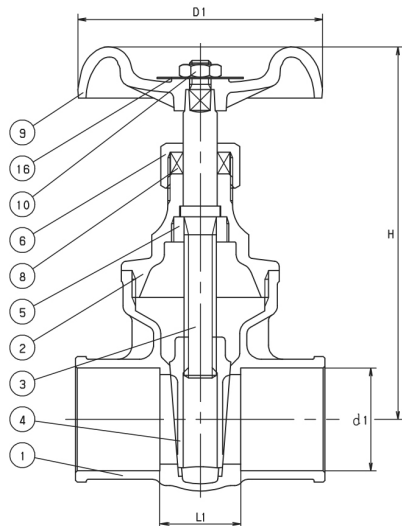
Screw-In-Bonnet • Non-Rising Stem • Solid Wedge

\*NSF/ANSI 61-G & NSF/ANSI 372

### CODE #807 (AKFSN) THREADED (½"-2")



### CODE #808† (CFSN) SOLDER (½"-2")



### STANDARDS

END TO END	KITZ STD.
THREADED ENDS	ASME B1.20.1
SOLDER ENDS	ASME B16.18†
DESIGN	KITZ STD.

### PRESSURE - TEMPERATURE

200 PSI - NON-SHOCK COLD WORKING PRESSURE (CWP)
125 PSI - WORKING STEAM PRESSURE (WSP)

### MATERIAL LIST

NO.	NAME OF PART	SPECIFICATION
1	BODY	LF FORGED BRASS (C46750)
2	BONNET	LF FORGED BRASS (C46750)
3	STEM	LF BRASS ROD (C46750)
4	DISC	LF FORGED BRASS (C46750)
5	LOCK NUT	LF BRASS ROD (C46750)
6	PACKING NUT	FORGED BRASS (C37700)
7	GLAND	BRASS ROD (B16)
8	GLAND PACKING	ARAMID FIBER w/ GRAPHITE
9	HAND WHEEL	ALUMINUM DIE-CAST
10	WHEEL NUT	CARBON STEEL
16	NAME PLATE	ALUMINUM

† P-T LIMITS FOR SOLDER JOINT VALVES PER ASME B16.18

### DIMENSIONS & WEIGHTS

SIZE	d2	H	D1	L	L1	d1		Wt. Lb/Kg	Crtn Qty
						Max	Min		
in	½	2.95	1.97	1.65	0.77	0.631	0.627	0.57	96
mm		75.0	50.0	41.9	19.6	16.0	15.9	0.26	
in	¾	3.39	2.17	1.85	0.86	0.881	0.877	0.81	32
mm		86.0	55.1	47.0	21.8	22.4	22.3	0.37	
in	1	3.82	2.36	1.97	0.94	1.132	1.128	1.19	36
mm		97.0	60.0	50.0	23.9	28.8	28.7	0.54	
in	1¼	4.61	2.76	2.36	1.09	1.382	1.378	1.72	36
mm		117.0	70.0	59.9	27.7	35.1	35.0	0.78	
in	1½	4.96	3.15	2.48	1.21	1.633	1.628	2.10	30
mm		126.0	80.0	63.0	30.7	41.5	41.4	0.95	
in	2	6.06	3.54	2.83	1.34	2.133	2.128	3.50	18
mm		153.9	90.0	71.9	34.0	54.2	54.1	1.59	



\*Product complies with NSF/ANSI Standard 61 Annex G, NSF/ANSI Standard 372 and conforms with lead content requirements for "lead free" plumbing as defined by California, Vermont, Maryland, and Louisiana state laws and the U.S. Safe Drinking Water Act that went into effect January 2014.

Certified to NSF/ANSI 61-G

**KITZ**®