

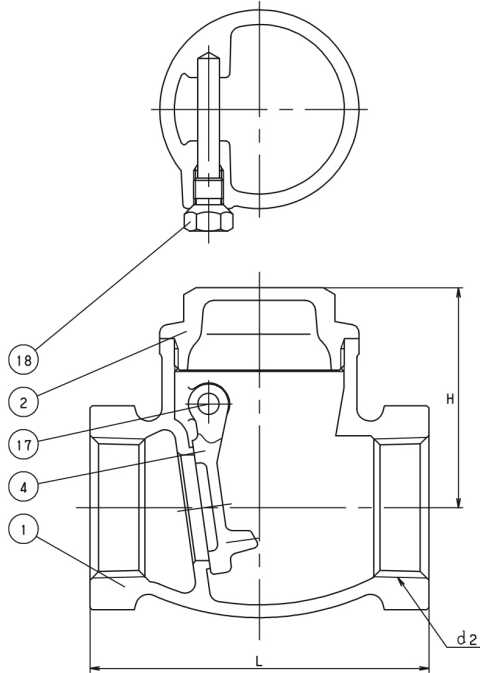
LEAD-FREE COPPER ALLOY CHECK

CLASS 125

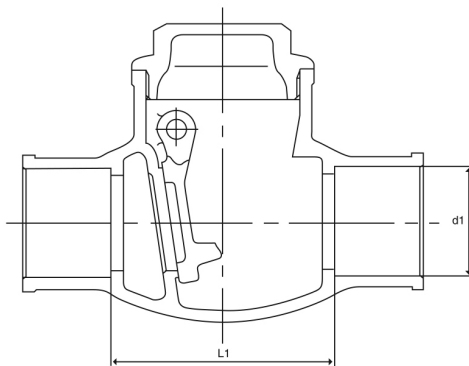
Horizontal Swing Type Disc • Screwed Cap • Integral Seat

*NSF/ANSI 61-G & NSF/ANSI 372

CODE #804 (AKRN) THREADED (½"-2")



CODE #814 (CRN) SOLDER (½"-2")



STANDARDS

| | |
|---------------|--------------------|
| END TO END | KITZ STD. |
| THREADED ENDS | ASME B1.20.1 |
| SOLDER ENDS | ASME B16.18 |
| DESIGN | MSS SP-80, Type 3† |

PRESSURE - TEMPERATURE

200 PSI - NON-SHOCK COLD WORKING PRESSURE (CWP)
180 PSI @ 212°F

MATERIAL LIST

| NO. | NAME OF PART | SPECIFICATION |
|-----|--------------|--------------------------|
| 1 | BODY | LF BRONZE (C89530) |
| 2 | CAP | LF FORGED BRASS (C46750) |
| 4 | DISC | LF FORGED BRASS (C46750) |
| 17 | HINGE PIN | COPPER (C11000) |
| 18 | PLUG | LF BRASS ROD (C46750) |

† Lead Free materials are not listed under MSS SP-80, Table 2.

DIMENSIONS & WEIGHTS

| SIZE d2 | H | L | L1 | d1 | | Wt. Lb/Kg | Crtn Qty |
|------------|----|------|-------|------|-------|--------------|-------------|
| | | | | Max | Min | | |
| ½ | in | 1.54 | 2.36 | 1.64 | 0.631 | 0.627 | 96 |
| | mm | 39.1 | 59.9 | 41.7 | 16.0 | 15.9 | |
| ¾ | in | 1.77 | 2.76 | 2.00 | 0.881 | 0.877 | 60 |
| | mm | 44.0 | 70.1 | 50.8 | 22.4 | 22.3 | |
| 1 | in | 2.05 | 3.15 | 2.27 | 1.132 | 1.128 | 48 |
| | mm | 52.1 | 80.0 | 57.7 | 28.8 | 28.7 | |
| 1¼ | in | 2.44 | 3.62 | 2.78 | 1.382 | 1.378 | 24 |
| | mm | 61 | 91.9 | 70.6 | 35.1 | 35.0 | |
| 1½ | in | 2.64 | 4.02 | 3.1 | 1.633 | 1.628 | 18 |
| | mm | 67.1 | 102.1 | 78.7 | 41.5 | 41.4 | |
| 2 | in | 3.11 | 1.18 | 3.78 | 2.133 | 2.128 | 12 |
| | mm | 78.0 | 121.9 | 96.0 | 54.2 | 54.1 | |



Certified to
NSF/ANSI 61-G

*Product complies with NSF/ANSI Standard 61 Annex G, NSF/ANSI Standard 372 and conforms with lead content requirements for "lead free" plumbing as defined by California, Vermont, Maryland, and Louisiana state laws and the U.S. Safe Drinking Water Act that went into effect January 2014.