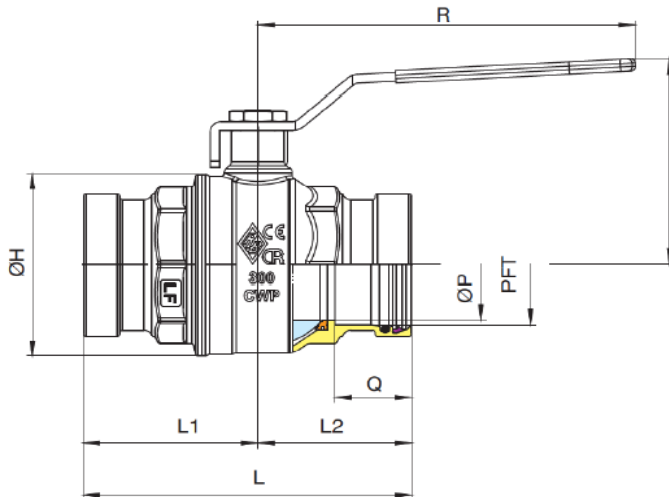
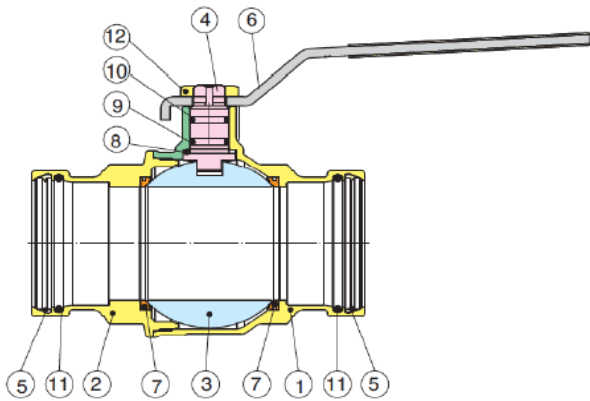


K-PRESS LEAD-FREE BALL VALVE

PRESS FIT

Two-Piece Body • Full Port
PTFE Seats • O-Ring Stem seals

CODE #801XLC



FEATURES

Full port ball valve with PRESS connections for 2½" - 4", Steel handle with white plastic cover
200 PSI CWP NON-SHOCK
Temperature Range -4°F to 250°F
Blowout Proof Stem, Stainless Steel Ball
Valve to be used in the fully open or fully closed positions only
100% Shell and Seat tested at 80 psi,

MATERIAL LIST

NO.	NAME OF PART	SPECIFICATION
1	BODY	BRASS C27453*
2	END CONNECTION	BRASS C27453*
3	BALL	316 SS
4	STEM	BRASS C28500*
5	COMPRESSION RING	STEEL AISI 9840
6	HANDLE	STEEL PLATE DD11
7	BALL SEAT	PTFE
8	THRUST EWASHER	PTFE
9	O-RING	NBR
10	O-RING	FKM
11	O-RING	EPDM
12	NUT	STEELCL04

* Lead Free refers to the wetted surface of all components in potable water water systems that have a weighted average lead content $\leq 0.25\%$

DIMENSIONS & WEIGHTS

SIZE	ØP	Q	ØH	L	L1	L2	h	R	WEIGHT (Lbs)
2½"	in.	2.44	1.65	4.09	7.05	3.76	3.29	4.57	8.07
	mm.	62.0	41.9	103.9	179.1	95.5	83.6	116.1	205.0
3"	in.	2.99	1.91	4.96	8.27	4.45	3.82	4.98	8.07
	mm.	76.0	48.5	126.0	210.1	113.0	97.0	126.5	205.0
4"	in.	3.94	2.42	6.54	10.26	5.28	4.98	6.54	10.31
	mm.	100.1	61.5	166.1	260.6	134.1	126.5	166.1	261.9