

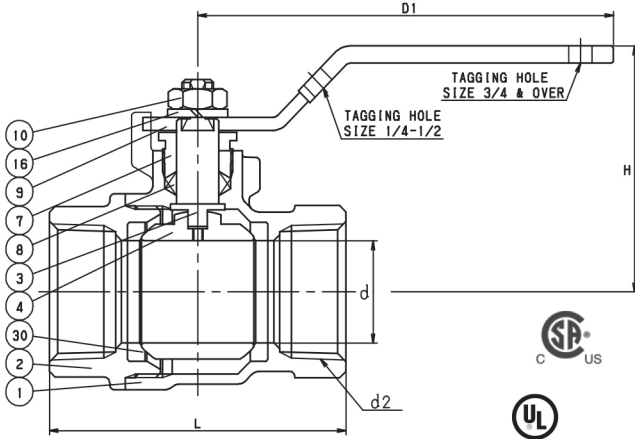
# FORGED BRASS BALL VALVE

## STAINLESS STEEL TRIM

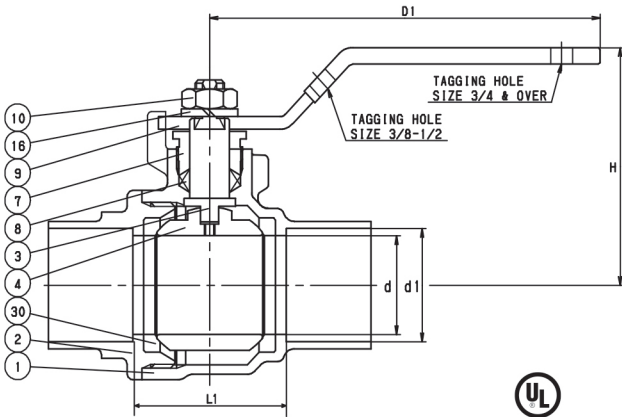
Two Piece Body • Full Port

Blowout Proof Stem • Stainless Steel / Vented Ball • PTFE Seats and Seals  
CSA (US/C) • UL

### CODE # 68M (AKTAFM) THREADED



### CODE # 69M (CTAFM) SOLDER\*



\*REFERENCE VALVE INSTALLATION TIPS FOR SOUND SOLDER JOINTS  
(PAGE BV-70) OR SEE INSTALLATION SHEET PACKAGED WITH VALVE.

#### SPECIFICATION

Approved valve shall have two piece forged brass body, stainless steel trim, blowout proof stem, PTFE seats/seals, and full port design. Valves shall be pressure rated to 150 WSP/600 WOG and conform to MSS-SP 110 and Certified to CSA, UL.

KITZ Code No. 68M (AKTAFM) Threaded Ends

#### STANDARDS

END TO END	KITZ
THREADED ENDS	ANSI B1.20.1
WALL THICKNESS	KITZ
CONFORMS TO MSS-SP 110	

#### PRESSURE/TEMPERATURE

150 PSI - SATURATED STEAM TO 366°F
600 PSI - NON-SHOCK COLD WATER, OIL OR GAS

NOTE: PRESSURE/TEMPERATURE CHART - PAGE BV-36

#### MATERIAL LIST

NO.	NAME OF PART	SPECIFICATION
1	BODY	FORGED BRASS (B283, C37700)
2	BODY CAP	FORGED BRASS (B283, C37700)
3	STEM	STAINLESS STEEL (A276, TYPE 316)
4	BALL (Vented)	STAINLESS STEEL (A276, TYPE 316 or A351 Gr. CF8M)
7	GLAND	BRASS ROD (B16)
8	GLAND PACKING	PTFE
9	HANDLE	(1) CARBON STEEL
10	HANDLE NUT	CARBON STEEL
16	WASHER	CARBON STEEL
30	BALL SEATS	PTFE

NOTES: (1) ELECTROPLATED ZINC WITH PLASTIC COVERING

#### DIMENSIONS • WEIGHTS • QUANTITIES

	d2 SIZE	d	H	D1	L	L1	d1		APPROX. NET WT.	CARTON QTY
							Max	Min		
in.	1/4	0.39	1.54	3.23	1.61	-	-	-	48	120
mm.		9.9	39.1	82.0	40.9	-	-	-	21.8	
in.	3/8	0.39	1.54	3.23	1.65	1.1	0.5	0.5	48	120
mm.		9.9	39.1	82.0	41.9	26.7	12.9	12.8	21.8	
in.	1/2	0.59	1.65	3.23	2.09	1.1	0.6	0.6	52	96
mm.		15.0	41.9	82.0	53.1	28.7	16.0	15.9	23.6	
in.	3/4	0.79	2.01	3.94	2.36	1.4	0.9	0.9	50	60
mm.		20.1	51.1	100.1	59.9	34.8	22.4	22.3	22.7	
in.	1	0.98	2.32	5.12	2.83	1.6	1.1	1.1	51	36
mm.		24.9	58.9	130.0	71.9	41.7	28.8	28.7	23.2	
in.	1 1/4	1.26	2.52	5.12	3.23	2.0	1.4	1.4	50	24
mm.		32.0	64.0	130.0	82.0	50.8	35.1	35.0	22.7	
in.	1 1/2	1.57	2.87	5.91	3.62	2.4	1.6	1.6	54	16
mm.		39.9	72.9	150.1	91.9	59.7	41.5	41.4	24.5	
in.	2	1.97	3.15	5.91	4.13	2.8	2.1	2.1	72	8
mm.		50.0	80.0	150.1	104.9	71.9	54.2	54.1	32.7	

#### CERTIFICATIONS:

CSA (US/C) -40°C~65°C (-40°F~149°F)  
CGA 9.1b-2001/ANSI 21.15b-2006 - .5 PSI  
CGA CR 91-002 - 2 PSI  
ASME B16.44 - 5 PSI  
CAN/CGA 3.16-M88 - 125 PSI  
ASME B16.33-2002 - 125 PSI  
UL-125, -842, -1769