



KITZ Corporation Of America  
800-772-0073 • www.KITZ.com

Design - B16.34, OS&Y, BB, RFF, Flex Wedge, LEV - 100 PPM max.  
Body Materials - ASTM A351, A494, A890, A990, others upon request

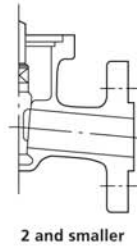
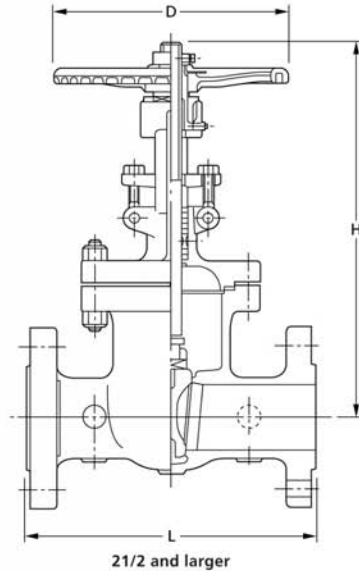
**Class 600**

**GATE VALVE**

Pressure-Temperature Rating: ASME B 16.34

600UMA

600UMAM



**Materials**

| Parts              | 600UMA            | 600UMAM |
|--------------------|-------------------|---------|
| Body               | CF8               | CF8M    |
| Bonnet             | CF8               | CF8M    |
| Stem               | 304               | 316     |
| Disc*              | CF8               | CF8M    |
| Gland              | 304               | 316     |
| Gland flange       | CF8               |         |
| Gland packing      | Refer to Page 10  |         |
| Gasket             | Refer to Page 10  |         |
| Yoke**             | CF8               |         |
| Yoke sleeve        | Ductile Ni-resist |         |
| Handwheel          | Ductile iron      |         |
| Gland bolt/nut     | B8/8              |         |
| Gland bolt pin     | 403               |         |
| Bonnet bolt/nut    | B8/8              |         |
| Grease nipple***   | Carbon steel      |         |
| Thrust bearing**** | Steel             |         |
| Collar***          | 304               | 316     |
| Name plate         | Aluminum          |         |

\*Body seats and/or disc seats can be optionally hard-faced.

\*\*Yoke is separated from bonnet for size 8 and larger.

\*\*\*For size 2 and larger. \*\*\*\*For size 6 and larger.

Note: Flexible wedge for all sizes.

| Items                   |                       |
|-------------------------|-----------------------|
| Face-to-Face Dimensions | ASME B16.10           |
| End Flange Dimensions   | ASME B16.5            |
| Wall Thickness          | ASME B16.34 Class 600 |

| Nominal Size | 1/2 | 3/4  | 1    | 1 1/2 | 2    | 2 1/2 | 3     | 4     | 6     | 8     | 10    | 12    |
|--------------|-----|------|------|-------|------|-------|-------|-------|-------|-------|-------|-------|
|              | 15  | 20   | 25   | 40    | 50   | 65    | 80    | 100   | 150   | 200   | 250   | 300   |
| L            | in. | 6.50 | 7.50 | 8.50  | 9.50 | 11.50 | 13.00 | 14.00 | 17.00 | 22.00 | 31.00 | 33.00 |
|              | mm  | 165  | 190  | 216   | 241  | 292   | 330   | 356   | 432   | 559   | 787   | 838   |
| H (open)     | in. | 8.1  | 8.7  | 9.8   | 13.2 | 17.7  | 18.9  | 21.4  | 26.6  | 35.6  | 44.5  | 60.0  |
|              | mm  | 207  | 222  | 250   | 335  | 450   | 480   | 544   | 676   | 905   | 1130  | 1524  |
| D            | in. | 3.9  | 3.9  | 5.5   | 7.1  | 7.9   | 8.9   | 9.8   | 13.8  | 17.7  | 23.6  | 26.8  |
|              | mm  | 100  | 100  | 140   | 180  | 200   | 225   | 250   | 350   | 450   | 600   | 680   |



KITZ Corporation Of America  
800-772-0073 • www.KITZ.com

Design - API 600, OS&Y, BB, RFF, Flex Wedge, LEV - 100 PPM max.  
Body Materials - ASTM A351, A494, A890, A990, others upon request

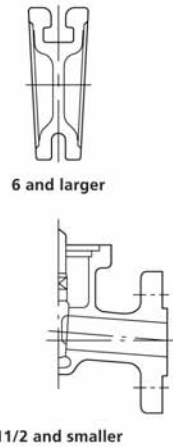
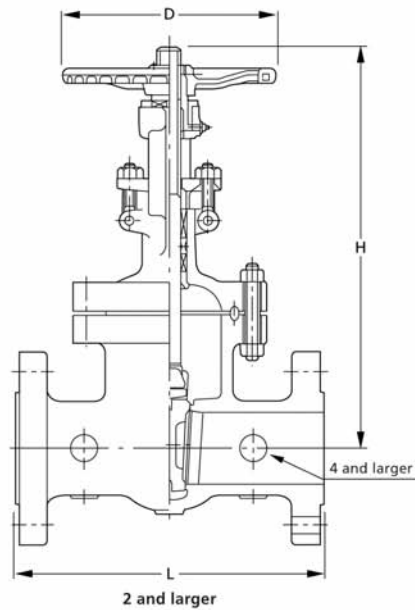
**Class 600**

**GATE VALVE**

Pressure-Temperature Rating: ASME B 16.34

600UMC

600UMCM



**Materials**

| Parts           | 600UMC            | 600UMCM |
|-----------------|-------------------|---------|
| Body*           | CF8               | CF8M    |
| Bonnet          | CF8               | CF8M    |
| Stem            | 304               | 316     |
| Disc*           | CF8               | CF8M    |
| Gland           | 304               | 316     |
| Gland flange    | CF8               |         |
| Gland packing   | Refer to Page 10  |         |
| Gasket          | Refer to Page 10  |         |
| Yoke**          | CF8               |         |
| Yoke sleeve     | Ductile Ni-resist |         |
| Handwheel       | Ductile iron      |         |
| Gland bolt/nut  | B8/8              |         |
| Gland bolt pin  | 403               |         |
| Bonnet bolt/nut | B8/8              |         |
| Grease nipple   | Carbon steel      |         |
| Name plate      | Aluminum          |         |

\*Body seats and/or disc seats can be optionally hard-faced.

\*\*Yoke is separated from bonnet for size 8 and larger.

Note: \* Renewable seats are optionally available for size 2 and larger.

\* Solid wedge for size 1 & 1 1/2.

\* Flexible wedge for all other sizes.

| Items                   |                  |
|-------------------------|------------------|
| Face-to-Face Dimensions | ASME B16.10      |
| End Flange Dimensions   | ASME B16.5       |
| Wall Thickness          | API 600 Class600 |

| Nominal Size | 1/2 | 3/4  | 1    | 1 1/2 | 2    | 3     | 4     | 6     | 8     | 10    | 12    |       |
|--------------|-----|------|------|-------|------|-------|-------|-------|-------|-------|-------|-------|
|              | 15  | 20   | 25   | 40    | 50   | 80    | 100   | 150   | 200   | 250   | 300   |       |
| L            | in. | 6.50 | 7.50 | 8.50  | 9.50 | 11.50 | 14.00 | 17.00 | 22.00 | 26.00 | 31.00 | 33.00 |
|              | mm  | 165  | 190  | 216   | 241  | 292   | 356   | 432   | 559   | 660   | 787   | 838   |
| H (open)     | in. | 10.4 | 10.7 | 13.1  | 15.6 | 18.7  | 22.4  | 27.5  | 36.9  | 42.8  | 50.4  | 59.1  |
|              | mm  | 263  | 271  | 332   | 396  | 475   | 570   | 698   | 936   | 1087  | 1280  | 1500  |
| D            | in. | 3.9  | 5.5  | 6.3   | 7.9  | 7.9   | 9.8   | 11.8  | 17.7  | 19.7  | 23.6  | 26.8  |
|              | mm  | 100  | 140  | 160   | 200  | 200   | 250   | 300   | 450   | 500   | 600   | 680   |