

# FORGED BRASS BALL VALVE

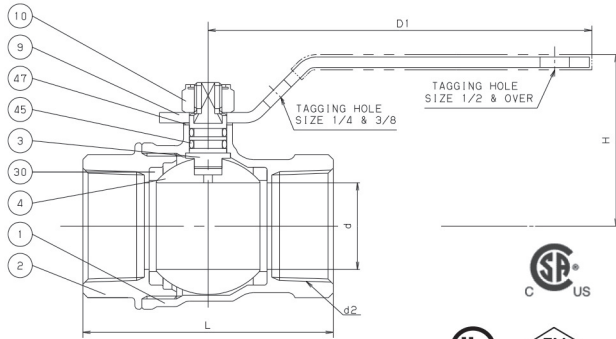
## MAINTENANCE FREE DOUBLE O-RING STEM SEALS

Two Piece Body • Full Port • Chrome Plated / Vented Ball

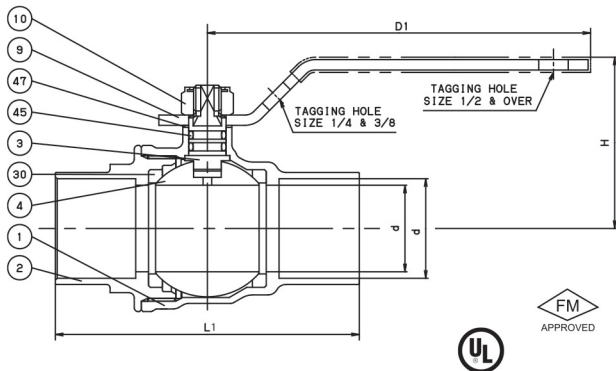
Blowout Proof Stem (Ni Plated) • PTFE Seats

CSA (US/C) • UL • FM

### CODE # 58 (AKSZA) THREADED



### CODE # 59 (CSZA) SOLDER\*



\*REFERENCE VALVE INSTALLATION TIPS FOR SOUND SOLDER JOINTS (PAGE BV-70) OR SEE INSTALLATION SHEET PACKAGED WITH VALVE.

#### SPECIFICATION

Approved valve shall have two piece forged brass body, blowout proof stem (Ni Plated), PTFE seats, maintenance free double o-ring stem seals, chrome plated ball and full port design. Valves shall be pressure rated to 150 WSP/600 WOG and conform to MSS-SP 110 and certified to CSA, UL & FM.

KITZ Code No. 58 (AKSZA) Threaded Ends  
59 (CSZA) Solder Ends

#### STANDARDS

END TO END	KITZ
THREADED ENDS	ANSI B1.20.1
SOLDER JOINT ENDS	ANSI B16.18
WALL THICKNESS	KITZ
CONFORMS TO MSS-SP 110 - REPLACES US. FED. SPEC. WWW-V-35B, TYPE II, CLASS A, STYLE 3	

#### PRESSURE/TEMPERATURE

150 PSI SATURATED STEAM TO 366°F
600 PSI - NON-SHOCK COLD WATER, OIL OR GAS

NOTE: PRESSURE/TEMPERATURE CHART - PAGE BV-35

#### MATERIAL LIST

NO.	NAME OF PART	SPECIFICATION
1	BODY	FORGED BRASS (B283, C37700)
2	BODY CAP	FORGED BRASS (B283, C37700)
3	STEM	(1) BRASS ROD (B16)
4	BALL (Vented)	(2) FORGED BRASS (B283, C37700) STRAIGHT OR HOLLOW BALL
9	HANDLE	(3) CARBON STEEL
10	HANDLE NUT	CARBON STEEL
30	BALL SEATS	PTFE
45	O-RINGS	FPM
47	THRUST WASHER	PBT

NOTES: (1) Ni PLATING  
(2) CR. PLATING  
(3) ELECTROPLATED ZINC WITH PLASTIC COVERING

#### DIMENSIONS • WEIGHTS • QUANTITIES

	d2 SIZE	d	H	D1	L	L1	d1		APPROX. NET WT.	CARTON QTY
							Max.	Min.		
in.	1/4	0.39	1.46	2.76	1.65	1.05	.381	.377	29	120
mm.		9.9	37.1	70.1	41.9	26.7	9.7	9.6	13.2	
in.	3/8	0.39	1.46	2.76	1.65	1.11	.506	.502	29	120
mm.		9.9	37.1	70.1	41.9	28.2	12.9	12.8	13.2	
in.	1/2	0.59	1.57	3.15	2.08	1.13	.631	.627	29	96
mm.		14.0	39.9	80.0	52.8	28.7	16.0	15.9	13.2	
in.	3/4	0.79	1.69	3.15	2.36	1.37	.881	.877	45	60
mm.		20.1	42.9	80.0	59.9	34.8	22.4	22.3	20.5	
in.	1	0.98	1.97	4.33	2.83	1.64	1.132	1.128	60	36
mm.		24.9	50.0	50.038	71.9	41.7	28.8	28.7	27.3	
in.	1 1/4	1.26	2.16	4.33	3.31	2	1.382	1.378	68	24
mm.		32.0	54.9	54.864	84.1	50.8	35.1	35.0	30.9	
in.	1 1/2	1.57	2.52	5.9	3.62	2.35	1.633	1.628	50	16
mm.		39.9	64.0	149.9	91.9	59.7	41.5	41.4	22.7	
in.	2	1.97	2.83	5.9	4.33	2.83	2.133	2.128	71	16
mm.		50.0	71.9	149.9	149.86	71.9	54.2	54.1	32.3	

#### CERTIFICATIONS:

CSA (US/C) -40°C~65°C (-40°F~149°F)  
CGA 9.1b-2001/ANSI 21.15b-2006 - .5 PSI  
CGA CR 91-002 - 2 PSI  
ASME B16.44 - 5 PSI  
CAN/CGA 3.16-M88 - 125 PSI  
ASME B16.33-2002 - 125 PSI  
UL-258 - 175 WWP (Fire Trim Protection Valves)  
FM-1140 - 175 WWP (Fire Protection Systems)