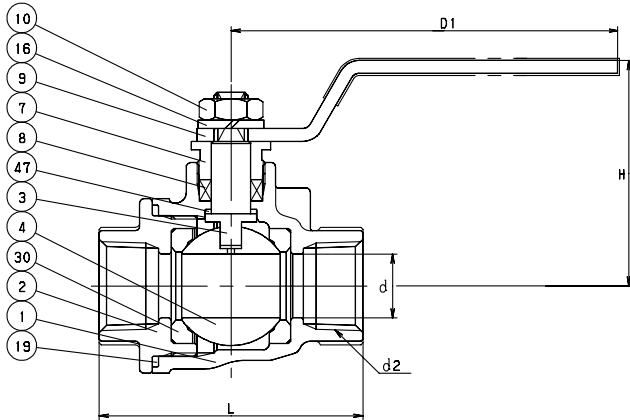


STAINLESS STEEL BALL VALVE

Two Piece Body with Mounting Pad • Full Port
Blowout Proof Stem • Lever Handle

CODE # 53F (AKUTFM) THREADED



STANDARDS	
END TO END	KITZ
END CONNECTION	ANSI B1.20.1
WALL THICKNESS	KITZ

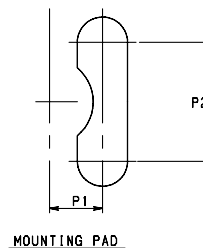
PRESSURE/TEMPERATURE	
125 PSI - SATURATED STEAM TO 353°F	
800 PSI - NON-SHOCK COLD WATER, OIL OR GAS	

NOTE: PRESSURE/TEMPERATURE CHART - PAGE BV-49

MATERIAL LIST		
NO.	NAME OF PART	SPECIFICATION
1	BODY	STAINLESS STEEL (A351 Gr. CF8M)
2	BODY CAP	STAINLESS STEEL (A351 Gr. CF8M)
3	STEM	(1) STAINLESS STEEL (A276 TYPE 316)
4	BALL (1/2" - 1 1/4") (1 1/2" - 2")	STAINLESS STEEL (A276 TYPE 316) (A351 Gr. CF8M or A276 TYPE 316)
7	GLAND	STAINLESS STEEL (A276 TYPE 316)
8	GLAND PACKING	PTFE
9	HANDLE	(2) STAINLESS STEEL (A276 TYPE 430)
10	HANDLE NUT	STAINLESS STEEL (A194 Gr. 8)
16	WASHER	STAINLESS STEEL (A276 TYPE 304)
19	GASKET	PTFE
30	BALL SEATS	PTFE
47	THRUST WASHER	G/F + PTFE

NOTES: (1) CR. PLATING
(2) WITH PLASTIC COVERING
OVAL HANDLE OPTIONALLY AVAILABLE

DIMENSIONS - WEIGHTS - QUANTITIES							
d2 SIZE	d	H	D1	L	P1	P2	APPROX. CARTON NET WT. QTY
1/2	.59	2.09	3.94	2.44	.50	1.12	7 8
3/4	.79	2.28	5.12	2.87	.87	1.37	11 8
1	.98	2.44	5.12	3.35	.87	1.37	12 6
1 1/4	1.26	2.83	5.91	3.86	.93	1.50	16 6
1 1/2	1.57	3.07	5.91	4.25	.93	1.50	9 2
2	1.97	3.70	7.87	4.88	.93	1.50	15 2



SPECIFICATION

Approved valve shall have two piece stainless steel body with mounting pad, blowout proof stem, PTFE seats/seals, stainless steel trim, and full port design. Valves shall be pressure rated to 125 WSP/800 WOG.

KITZ Code No. 53F (AKUTFM) Threaded Ends