



KITZ Corporation Of America
800-772-0073 • www.KITZ.com

THREADED CARBON STEEL BALL VALVE
One Piece/End Entry • Reduced Port • Stainless Steel Trim • G/F PTFE Seats
Lever Handle • 600 WOG

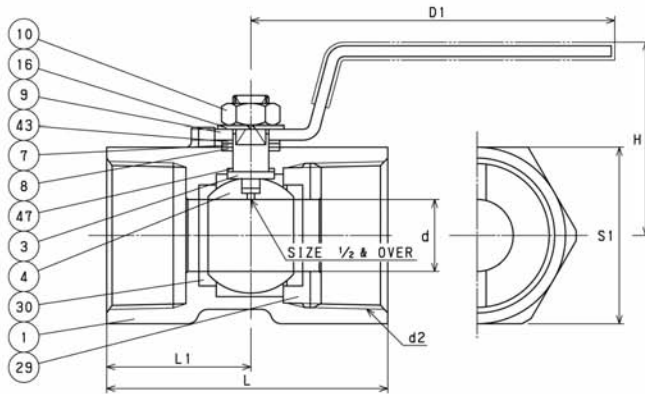
**AKSCTKM
CODE NO. 50**

MATERIAL LIST

No.	Name of Parts	Materials
1	BODY	A216 Gr. WCB (1)
3	STEM	A276 TYPE 316
4	BALL	A276 TYPE 316
7	GLAND	A276 TYPE 316
8	GLAND PACKING	G/F PTFE
9	HANDLE	A276 TYPE 430 (2)
10	SELF LOCKING NUT	A194 Gr. 8
16	SPRING WASHER	CARBON STEEL
29	INSERT	A276 TYPE 316 or A351 Gr. CF8M
30	BALL SEAT	G/F PTFE
43	SPRING	A167 TYPE 304
47	THRUST WASHER	REINFORCED PTFE

NOTE

- (1) Phosphating.
- (2) Plastic covering.



DIMENSIONS

Unit : inch

Nominal Size	d	H	D1	L	d2	S1	L1
1/4	0.18	1.22	2.36	1.54	NPT 1/4	0.67	0.75
3/8	0.27	1.42	2.76	1.73	NPT 3/8	0.83	0.83
1/2	0.36	1.61	3.35	2.22	NPT 1/2	0.99	1.08
3/4	0.49	1.73	3.35	2.32	NPT 3/4	1.26	1.18
1	0.63	1.89	3.94	2.80	NPT 1	1.50	1.42
1 1/4	0.79	2.13	3.94	3.07	NPT 1 1/4	1.93	1.57
1 1/2	0.96	2.56	4.92	3.27	NPT 1 1/2	2.09	1.67
2	1.26	2.83	4.92	3.94	NPT 2	2.56	2.01