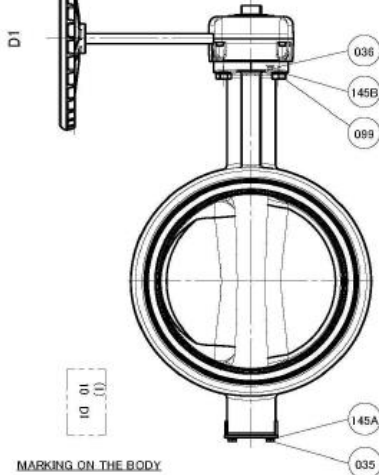
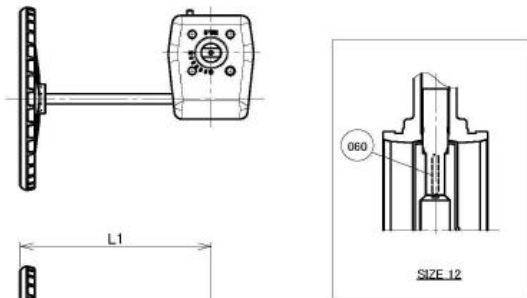
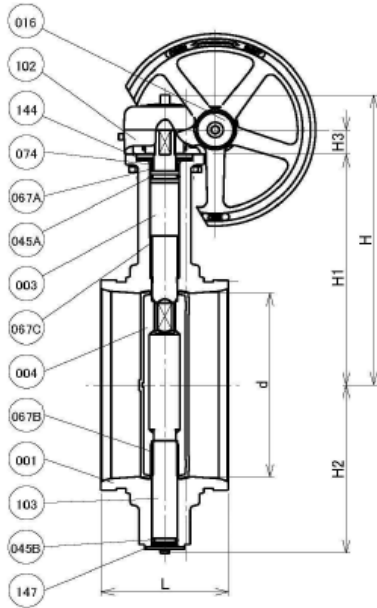


# GROOVED END BUTTERFLY

10" & 12" Gear Operated

Nylon Coated Ductile Iron Body • EPDM Coated DI Disc\*  
NSF/ANSI 61 & 372

CODE No. 4244G (G-300SGECE)



MARKING ON THE BODY



This product complies with NSF/ANSI Standards 61 and 372 and conforims with lead content requirements for "Lead Free" plumbing as defined under the U.S. Safe Drinking Water Act that went into effect January 2014

**WARNING:** Cancer and Reproductive Harm - [www.P65Warnings.ca.gov](http://www.P65Warnings.ca.gov).

## STANDARDS

DESIGN STANDARD	MSS SP-67
END CONNECTION	AWWA C606-15

## PRESSURE - TEMPERATURE

300 PSI (2.1 MPa) - NON-SHOCK COLD WORKING PRESSURE (CWP)  
32~212°F - Continuous (-4~230°F Intermittent)

## MATERIAL LIST

NO.	NAME OF PART	SPECIFICATION
1	BODY†	DUCTILE IRON, NYLON COATED
3	STEM	420SS
4	DISC*	DUCTILE IRON, EPDM COATED
16	NAME PLATE	ALUMINUM
35	END PLATE BOLT	CARBON STEEL
45A	O-RING	EPDM
45B	O-RING	EPDM
60	KEY (12")	CARBON STEEL
67A	STEM BEARING	METAL BACKED PTFE
67B	STEM BEARING	METAL BACKED PTFE
67C	STEM BEARING	POLYACETAL
74	BUSHING	STAINLESS STEEL
99	SET BOLT	CARBON STEEL
102	GEAR UNIT	
103	BOTTOM STEM	420SS
145A	SPRING WASHER	CARBON STEEL
145B	SPRING WASHER	CARBON STEEL
147	END PLATE	CARBON STEEL

## NOTES:

† After Coating, Body is 100% Holiday Tested

\* EPDM coating is Chlorine and Chloramine resistant

## DIMENSIONS & WEIGHTS

SIZE	Units	d	L	L1	H	H1	H2	D1	Wt. Lb/Kg	Cv
10	in	9.49	6.25	9.88	14.84	11.81	8.58	9.84	87.08	4154
	mm	241.0	158.8	251.0	377.0	300.0	218.0	250.0	39.5	
12	in	11.42	6.50	9.88	15.94	12.91	9.61	9.84	116.40	6391
	mm	290.1	165.1	251.0	405.0	328.0	244.0	250.0	52.8	

**KITZ**