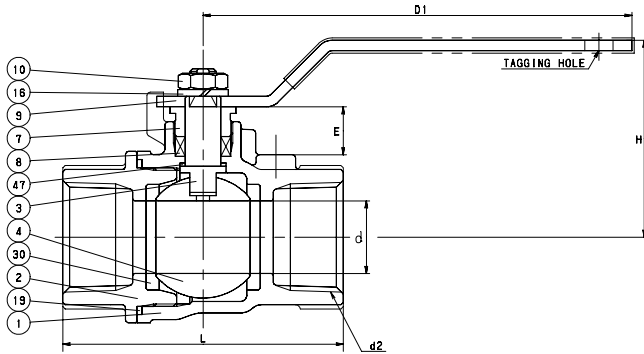


STAINLESS STEEL BALL VALVE

Two Piece Body with Mounting Pad
 Regular Port • Blowout Proof Stem • Locking Lever Handle

CODE # 39 (AKUTAHM) THREADED



STANDARDS	
END TO END	KITZ
END CONNECTION	ANSI B1.20.1
WALL THICKNESS	KITZ

PRESSURE/TEMPERATURE
125 PSI - SATURATED STEAM TO 353°F
2000 PSI (1/4"-1") - NON-SHOCK COLD WATER, OIL OR GAS
1500 PSI (1 1/4"-2") - NON-SHOCK COLD WATER, OIL OR GAS

NOTE: PRESSURE/TEMPERATURE CHART - PAGE BV-49

MATERIAL LIST		
NO.	NAME OF PART	SPECIFICATION
1	BODY	STAINLESS STEEL (A351 Gr. CF8M)
2	BODY CAP	STAINLESS STEEL (A351 Gr. CF8M)
3	STEM	(1) STAINLESS STEEL (A276 TYPE 316)
4	BALL	STAINLESS STEEL (A276 TYPE 316)
	2"	STAINLESS STEEL (A351 Gr. CF8M)
7	GLAND	STAINLESS STEEL (A276 TYPE 316)
8	GLAND PACKING	PTFE
9	HANDLE	(2) STAINLESS STEEL (A276 TYPE 430)
10	HANDLE NUT	STAINLESS STEEL (A194 Gr. 8)
16	WASHER	STAINLESS STEEL (A276 TYPE 304)
19	GASKET	PTFE
30	BALL SEATS	PTFE
47	THRUST WASHER	G/F + PTFE

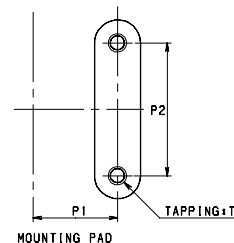
NOTES: (1) CR. PLATING
 (2) WITH PLASTIC COVERING
 OVAL HANDLE OPTIONALLY AVAILABLE

DIMENSIONS - WEIGHTS - QUANTITIES									
d2 SIZE	d	H	D1	L	P1	P2	E	APPROX. NET WT.	CARTON QTY
1/4	.37	1.89	3.94	2.05	.50	1.12	.57	16	24
3/8	.37	1.89	3.94	2.05	.50	1.12	.57	16	24
1/2	.49	1.93	3.94	2.24	.50	1.12	.57	20	24
3/4	.69	2.20	5.12	2.99	.87	1.37	.57	26	24
1	.87	2.32	5.12	3.35	.87	1.37	.57	34	24
1 1/4	.98	2.60	5.91	4.02	.93	1.5	.59	58	30
1 1/2	1.26	2.80	5.91	4.37	.93	1.5	.59	51	18
2	1.57	3.39	7.87	5.51	.93	1.5	.59	51	10

SPECIFICATION

Approved valve shall have two piece stainless steel body with mounting pad, blowout proof stem, PTFE seats/seals, stainless steel trim, locking lever handle and regular port design. Valves shall be pressure rated to 2000 WOG (1/4"-1") and 1500 WOG (1 1/4"-2").

KITZ Code No. 39 (AKUTAHM) Threaded Ends



T - 10-24 UNC (1/4"-1")
 1/4-20 UNC (1 1/4"-2")