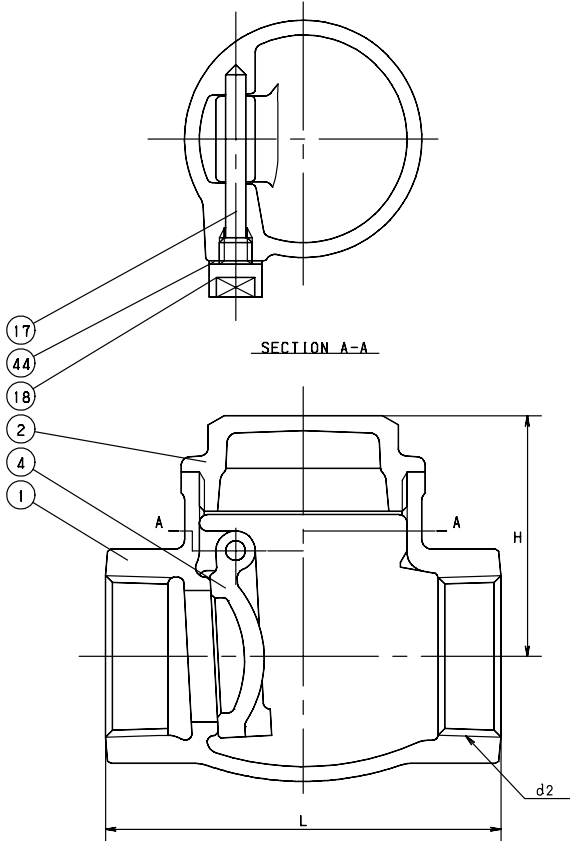


SWING CHECK

200 WOG STAINLESS STEEL

Integral Seat • Threaded Cap
Swing Type Disc

CODE # 34 (AKUOM)



STANDARDS

END TO END	KITZ
THREADED ENDS	ANSI B1.20.1
WALL THICKNESS	KITZ
DESIGN	KITZ

PRESSURE/TEMPERATURE

200 PSIG @ 250°F – STATIC FLUID
150 PSIG @ 250°F – PULSATING FLUID / GAS
120 PSIG @ 350°F – SATURATED STEAM

MATERIAL LIST

NO.	NAME OF PART	SPECIFICATION
1	BODY	STAINLESS STEEL (A351 Gr. CF8M)
2	CAP	STAINLESS STEEL (A351 Gr. CF8M) or (A182 Gr. F316)
4	DISC	STAINLESS STEEL (A351 Gr. CF8M)
17	HINGE PIN	STAINLESS STEEL (A276, TYPE 316)
18	PLUG	STAINLESS STEEL (A276, TYPE 316)
44	GASKET	ARAMID FIBER SHEET GASKET

DIMENSIONS - WEIGHTS - QUANTITIES

d2 SIZE	H	L	APPROX. NET WT.	CARTON QTY
1/2	1.77	2.56	0.94	72
3/4	2.17	3.15	1.44	48
1	2.40	3.54	2.06	32
1 1/4	2.80	4.13	3.05	20
1 1/2	2.83	4.72	4.31	16
2	3.19	5.51	6.33	9
2 1/4	3.66	7.09	13.25	4
3	4.09	7.87	15.50	2