

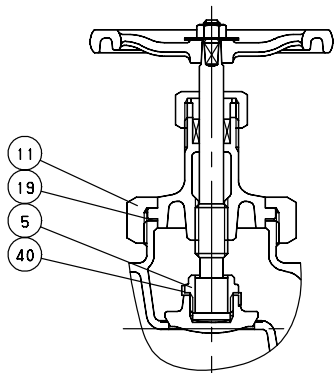
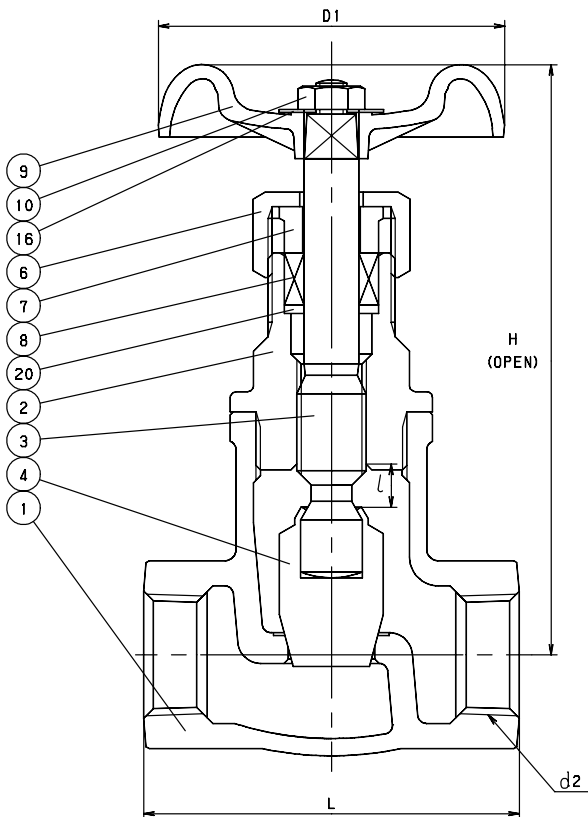
GLOBE

200 WOG STAINLESS STEEL

Screw-In-Bonnet • Inside Screw • Non-Rising Stem
Stainless Steel Disc

STAINLESS STEEL GLOBE

CODE # 33 (AKUJM) THREADED



2 1/2 and Larger

STANDARDS

END TO END	KITZ
THREADED ENDS	ANSI B1.20.1
WALL THICKNESS	KITZ
DESIGN	KITZ

PRESSURE/TEMPERATURE

200 PSIG @ 250°F – STATIC FLUID
150 PSIG @ 250°F – PULSATING FLUID / GAS
120 PSIG @ 350°F – SATURATED STEAM

MATERIAL LIST

NO.	NAME OF PART	SPECIFICATION
1	BODY	STAINLESS STEEL (A351 Gr. CF8M)
2	BONNET	STAINLESS STEEL (A351 Gr. CF8M)
3	STEM	STAINLESS STEEL (A276, TYPE 316)
4	DISC	STAINLESS STEEL (A276, TYPE 316)
5	LOCK NUT	STAINLESS STEEL (A276, TYPE 316)
6	PACKING NUT	STAINLESS STEEL (A276, TYPE 304) or (A351 Gr. CF8)
7	GLAND	STAINLESS STEEL (A276, TYPE 316)
8	GLAND PACKING	ARAMID FIBERS WITH GRAPHITE
9	HAND WHEEL (3/8 – 3/4)	ZINC DIE-CAST (B86)
	(1 – 3)	ALUMINUM DIE-CAST (B85)
10	WHEEL NUT	CARBON STEEL (A307 Gr. B)
11	BONNET RING	STAINLESS STEEL (A351 Gr. CF8M)
16	NAME PLATE	ALUMINUM
19	GASKET	ARAMID FIBER SHEET
20	PACKING WASHER	STAINLESS STEEL (A276, TYPE 316)
40	LOCK PLATE	STAINLESS STEEL

DIMENSIONS - WEIGHTS - QUANTITIES

d2 SIZE	H	D1	L	APPROX. NET WT.	CARTON QTY
3/8	4.29	2.36	2.17	1.31	48
1/2	4.37	2.36	2.56	1.44	48
3/4	4.41	2.76	3.15	2.06	30
1	5.59	3.54	3.54	3.04	24
1 1/4	5.91	3.54	4.13	4.33	15
1 1/2	6.73	3.94	4.72	6.25	12
2	7.44	4.53	5.51	9.83	6
2 1/2	9.96	7.09	7.09	14.67	3
3	11.02	8.86	7.87	21.50	2