



KITZ Corporation Of America
800-772-0073 • www.KITZ.com

SOCKET WELD CARBON STEEL BALL VALVE

Three Piece • Full Port • Stainless Steel Trim • Hypatite Seats
ISO 5211 Mounting Pad (KITZ Standard Mounting Pad on 1/4" and 3/8")
Lockable Lever Handle • Encapsulated Body Bolts • 1000 WOG • NACE

Steel Ball Valves

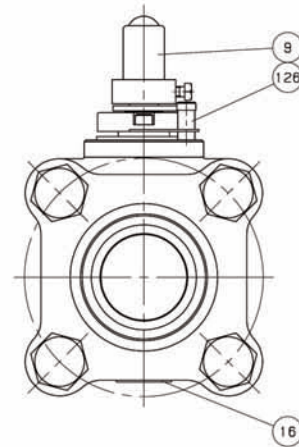
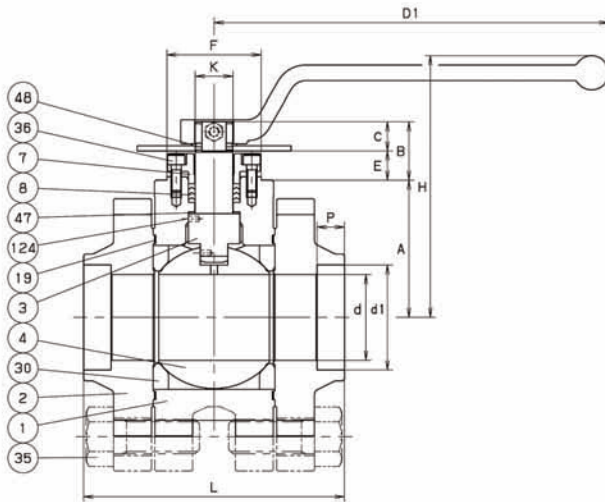
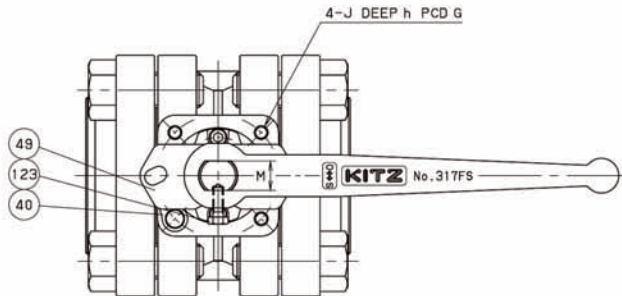
AWSC3TFZM
CODE NO. 317FS

MATERIAL LIST

| No. | Name of Parts | Materials |
|-----|----------------|----------------------------|
| 1 | BODY | A216 Gr. WCB |
| 2 | CAP | A216 Gr. WCB |
| 3 | STEM | A276 TYPE316 |
| 4 | BALL | A351 Gr. CF8M |
| 7 | GLAND | A351 Gr. CF8 |
| 8 | GLAND PACKING | PTFE |
| 9 | HANDLE | DUCTILE IRON |
| 16 | NAME PLATE | STAINLESS STEEL |
| 19 | GASKET | PTFE |
| 30 | BALL SEAT | HYPATITE PTFE |
| 35 | CAP BOLT | A193 Gr. BB |
| 36 | GLAND BOLT | A193 Gr. BB |
| 40 | KEY LOCK PLATE | STAINLESS STEEL |
| 47 | THRUST WASHER | 25% CARBON FILLED PTFE (1) |
| 48 | SNAP RING | STAINLESS STEEL |
| 49 | STOPPER | STAINLESS STEEL |
| 123 | HANDLE BOLT | STAINLESS STEEL |
| 124 | SPRING & PIN | A313 & A276 TYPE316 |
| 126 | STOPPER PIN | STAINLESS STEEL |

NOTE

(1) All valves have an anti-static thrust washer insuring positive conductivity between body and stem.



DIMENSIONS

| Nominal Size | Mounting Dimensions for Actuator | | | | | | | | | | | | | | | ISO 5211 Flange Type | |
|--------------|----------------------------------|-----|-----|-----|----|----|----|----|----|----|----|----|----|------------|----|----------------------|-----|
| | in. | d | H | D1 | L | d1 | P | A | B | C | E | F | K | G | J | | h |
| 2 | 50 | 152 | 230 | 152 | 61 | 16 | 80 | 34 | 17 | 17 | 55 | 22 | 70 | 1/16-18UNC | 15 | 17 | F07 |

Unit : mm

| Nominal Size | Mounting Dimensions for Actuator | | | | | | | | | | | | | | | ISO 5211 Flange Type | |
|--------------|----------------------------------|------|------|------|------|------|-------|-------|-------|-------|-------|-------|-------|------------|-------|----------------------|-----|
| | in. | d | H | D1 | L | d1 | P | A | B | C | E | F | K | G | J | | h |
| 2 | 1.97 | 5.98 | 9.06 | 5.98 | 2.41 | 0.63 | 3.150 | 1.339 | 0.669 | 0.669 | 2.165 | 0.866 | 2.756 | 1/16-18UNC | 0.591 | 0.669 | F07 |

Unit : inch