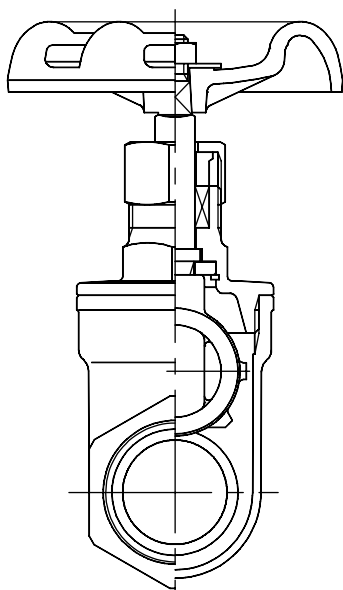
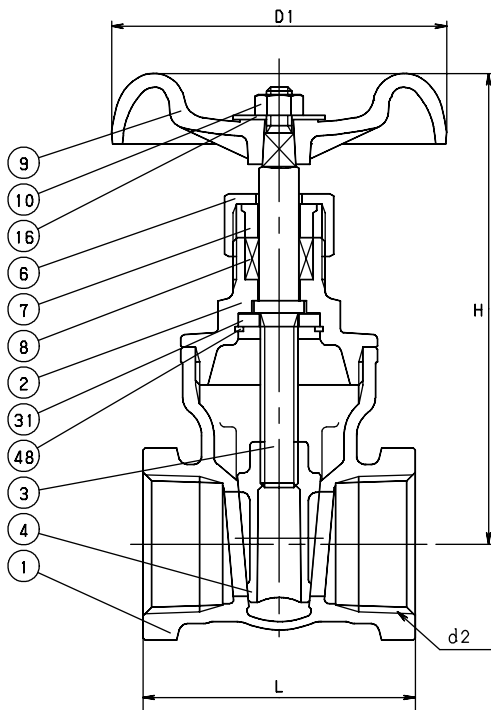


# GATE

## 200 WOG STAINLESS STEEL

Screw-In-Bonnet • Inside Screw • Non-Rising Stem  
Stainless Steel Disc

**CODE # 31 (AKUELM) 1/2 - 2**  
**(AKUEM) 2 1/2 - 4**  
**THREADED**



STANDARDS	
END TO END	KITZ
THREADED ENDS	ANSI B1.20.1
WALL THICKNESS	KITZ
DESIGN	KITZ

PRESSURE/TEMPERATURE	
200 PSIG @ 250°F – STATIC FLUID	
150 PSIG @ 250°F – PULSATING FLUID / GAS	
120 PSIG @ 350°F – SATURATED STEAM	

MATERIAL LIST		
NO.	NAME OF PART	SPECIFICATION
1	BODY	STAINLESS STEEL (A351 Gr. CF8M)
2	BONNET	STAINLESS STEEL (A351 Gr. CF8M)
3	STEM	STAINLESS STEEL (A276, TYPE 316)
4	DISC	STAINLESS STEEL (A351 Gr. CF8M)
6	PACKING NUT	STAINLESS STEEL (A351 Gr. CF8M)
7	GLAND	STAINLESS STEEL (A276, TYPE 316)
8	GLAND PACKING	ARAMID FIBERS WITH GRAPHITE
9	HAND WHEEL (1/2 – 3/4)	ZINC DIE-CAST (B86)
	(1 – 2)	ALUMINUM DIE-CAST (B85)
	(2 1/2)	CAST IRON (A126 CLASS B)
	(3 – 4)	DUCTILE IRON (A536)
10	WHEEL NUT	CARBON STEEL (A307 Gr. B)
16	NAME PLATE	ALUMINUM
31	STEM WASHER	STAINLESS STEEL (A276, TYPE 316)
48	SNAP RING	STAINLESS STEEL

DIMENSIONS - WEIGHTS - QUANTITIES					
d2 SIZE	H	D1	L	APPROX. NET WT.	CARTON QTY
1/2	3.78	2.76	2.13	1.35	48
3/4	3.98	2.76	2.28	1.69	32
1	4.41	3.15	2.56	2.21	24
1 1/4	4.84	3.15	2.91	3.19	16
1 1/2	5.91	3.94	3.07	6.17	12
2	6.57	3.94	3.43	8.13	8
2 1/2	9.76	5.31	4.53	16.25	4
3	10.83	6.10	5.12	20.00	3
4	12.40	7.87	6.10	32.00	1