

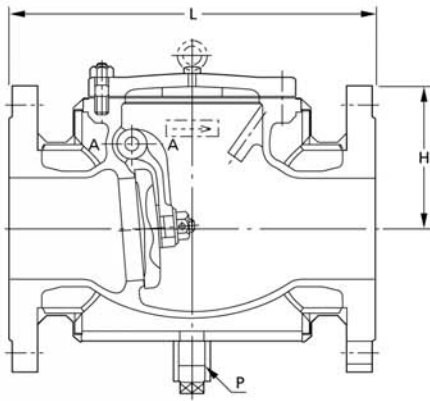
CLASS 300

JACKETED SWING CHECK VALVE

Pressure-Temperature Rating:
ASME B 16.34

300UOAJ

300UOAJM



Materials

Parts	300UOAJ	300UOAJM
Body	CF8	CF8M
Cover	CF8	CF8M
Disc	CF8	CF8M
Gasket	Refer to Page 10	
Hinge pin	304	316
Plug	304	316
Cover bolt/nut	B8/8	
Split pin	SUS316L	316L
Jacket*	STPG370+S5400	Carbon Steel+Steel

*The material may be changed depending on the service temperature.
Note: Body seats and/or disc seats can be optionally hard-faced.



Items	
Face-to-Face Dimensions	KITZ Std.
End Flange Dimensions	ASME B16.5
Wall Thickness	ASME B16.34 Class 300

Nominal Size	2×3		3×4		4×6		6×8	
	50×80		80×100		100×150		150×200	
L	in.	10.50	13.00	15.71	17.50			
	mm	267	330	400	444			
H (open)	in.	5.7	7.1	7.9	10			
	mm	146	180	200	255			
P		Rc ¹ / ₂	Rc ¹ / ₂	Rc ³ / ₄	Rc ³ / ₄			

*The nominal sizes are indicated by [the valve nominal sizes] and [flange nominal sizes].