



KITZ Corporation Of America
800-772-0073 • www.KITZ.com

Design - B16.34, OS&Y, BB, RFF, Flex Wedge, LEV - 100 PPM max.
Body Materials - ASTM A351, A494, A890, A990, others upon request

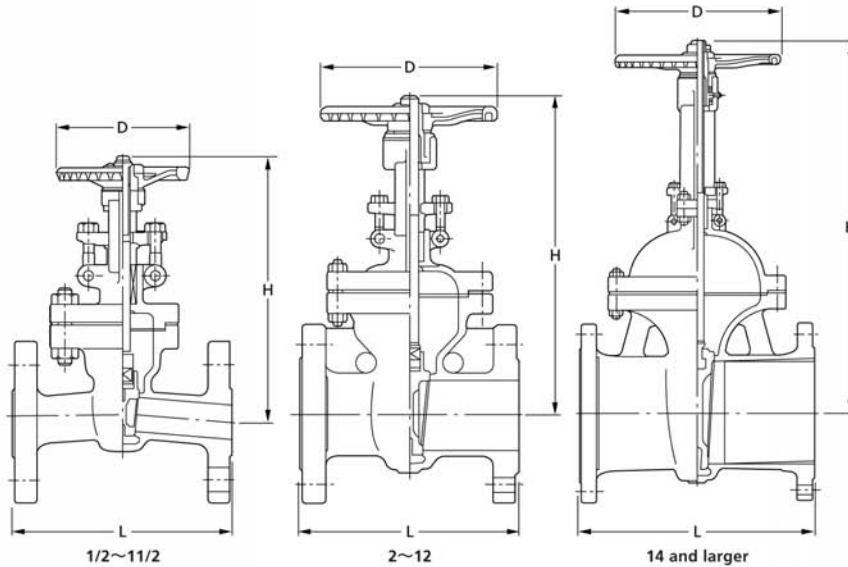
Class 300

GATE VALVE

Pressure-Temperature Rating: ASME B 16.34

300UMA

300UMAM



Materials

Parts	300UMA	300UMAM
Body	CF8	CF8M
Bonnet	CF8	CF8M
Stem	304	316
Disc	CF8	CF8M
Gland	304	316
Gland flange	CF8	
Gland packing	Refer to Page 10	
Gasket	Refer to Page 10	
Yoke*	Ductile iron	
Yoke sleeve	Ductile Ni-resist	
Handwheel	Ductile iron	
Gland bolt/nut	B8/8	
Gland bolt pin	403	
Bonnet bolt/nut	B8/8	
Grease nipple**	Carbon steel	
Name plate	Aluminum	

*Yoke is separated from bonnet for size 10 and larger.

**For size 10 and larger.

Note: * Body seats and/or disc seats can be optionally hard-faced.

* Flexible wedge for all sizes.

Items	
Face-to-Face Dimensions	ASME B16.10
End Flange Dimensions	ASME B16.5
Wall Thickness	ASME B16.34 Class 300

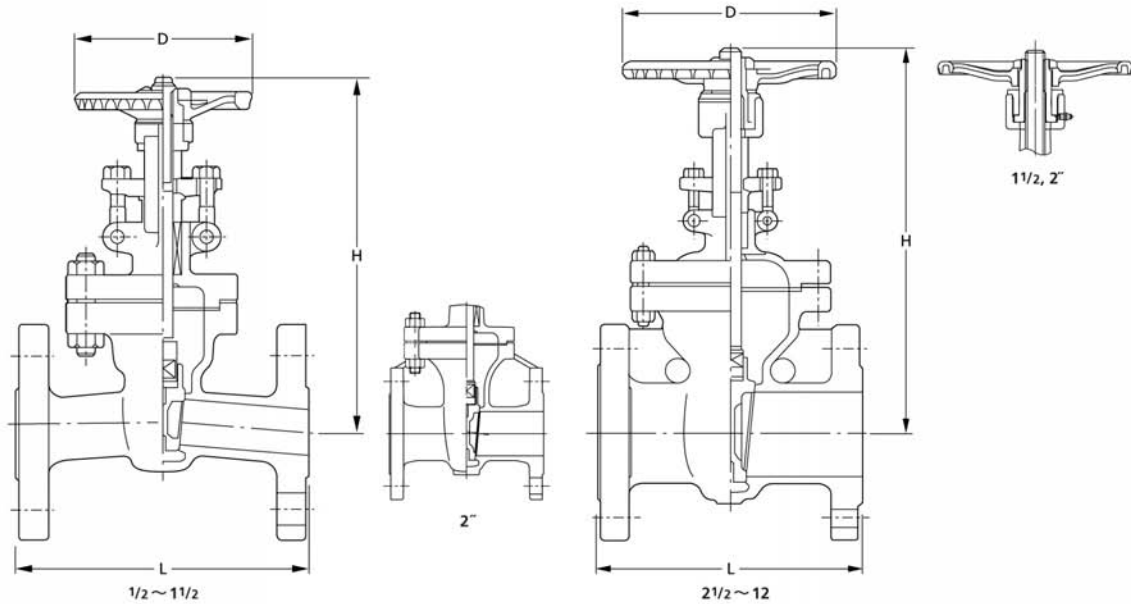
Nominal Size	1/2	3/4	1	1 1/2	2	2 1/2	3	4	5	6	8	10	12	14	16	18	20	24	
	15	20	25	40	50	65	80	100	125	150	200	250	300	350	400	450	500	600	
L	in.	5.50	6.00	6.50	7.50	8.50	9.50	11.12	12.00	15.00	15.88	16.50	18.00	19.75	30.00	33.00	36.00	39.00	45.00
	mm	140	152	165	190	216	241	283	305	381	403	419	457	502	762	838	914	991	1143
H (open)	in.	8.1	8.5	9.3	11.5	13.9	15.9	18.5	22.1	24.7	29.7	38.1	46.1	54.3	62.6	71.3	78.0	86.2	101.6
	mm	207	217	236	292	353	404	470	560	626	753	968	1170	1380	1590	1810	1980	2190	2580
D	in.	3.9	3.9	3.9	5.5	7.1	7.1	8.9	9.8	11.8	13.8	15.8	17.7	19.7	23.6	23.6	26.8	29.9	35.8
	mm	100	100	100	140	180	180	225	250	300	350	400	450	500	600	600	680	760	910

Class 300

GATE VALVE

Pressure-Temperature Rating: ASME B 16.34

300UMHAM



Materials

Parts	300UMHAM
Body	CF8M
Bonnet	CF8M
Stem	316
Disc	CF8M
Gland	316
Gland flange	CF8
Gland packing	Flexible Graphite PTFE Braided
Gasket	Refer to Page 10
Yoke sleeve	Ductile Ni-resist
Yoke**	CF8
Handwheel	Ductile Iron
Gland bolt/nut	B8/8
Bonnet bolt/nut	B8/8
Grease nipple***	Carbon Steel
Name plate	SUS304

**Yoke is separated from bonnet for size 10 and larger.

***For size 10 and larger.

Note: • Body seats and/or disc seats can be optionally hard-faced.

• Flexible wedge for all sizes.

Items

Face-to-Face Dimensions	ASME B16.10
End Flange Dimensions	ASME B16.5
Wall Thickness	API603

Nominal Size		1/2	3/4	1	1 1/2	2	2 1/2	3	4	6	8	10	12
		15	20	25	40	50	65	80	100	150	200	250	300
L	in.	5.50	6.00	6.50	7.50	8.50	9.50	11.12	12.00	15.88	16.50	18.00	19.75
	mm	140	152	165	190	216	241	283	305	403	419	457	502
H (open)	in.	8.1	8.5	10.6	12.7	14.0	16.0	18.5	22.0	29.6	38.1	46.1	54.3
	mm	207	217	269	323	355	406	470	560	752	966	1170	1380
D	in.	3.9	3.9	6.3	7.1	7.1	7.1	8.9	9.8	13.8	15.7	17.7	19.7
	mm	100	100	160	180	180	180	225	250	350	400	450	500

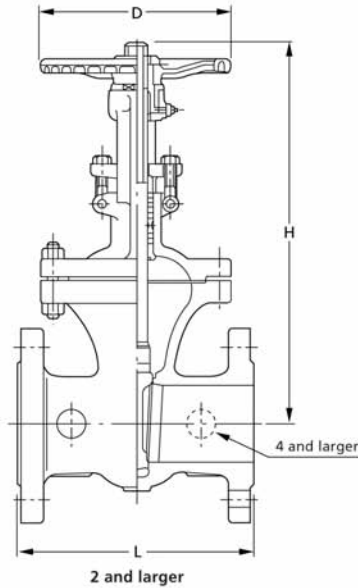
Class 300

GATE VALVE

Pressure-Temperature Rating: ASME B 16.34

300UMC

300UMCM



6 and larger

1 1/2 and smaller



Materials

Parts	300UMC	300UMCM
Body*	CF8	CF8M
Bonnet	CF8	CF8M
Stem	304	316
Disc*	CF8	CF8M
Gland	304	316
Gland flange	CF8	
Gland packing	Refer to Page 10	
Gasket	Refer to Page 10	
Yoke**	CF8	
Yoke sleeve	Ductile Ni-resist	
Handwheel	Ductile iron	
Gland bolt/nut	B8/8	
Bonnet bolt/nut	B8/8	
Name plate	Aluminum	
Grease nipple	Carbon steel	
Collar	316	

*Body seats and/or disc seats can be optionally hard-faced.

**Yoke is separated from bonnet for size 12 and larger.

Note: * Renewable seats are optionally available for size 2 and larger.

- Solid wedge for size 4 and smaller.
- Flexible wedge for all other sizes.

Items	
Face-to-Face Dimensions	ASME B16.10
End Flange Dimensions	ASME B16.5
Wall Thickness	API 600 Class300

Nominal Size	1/2	3/4	1	1 1/2	2	2 1/2	3	4	6	8	10	12	14	16	18	20	24
	15	20	25	40	50	65	80	100	150	200	250	300	350	400	450	500	600
L	5.50	6.00	6.50	7.50	8.50	9.50	11.10	12.00	15.90	16.50	18.,00	19.80	30.00	33.00	36.00	39.00	45.00
	140	152	165	190	216	241	283	305	403	419	457	502	762	838	914	991	1143
H (open)	8.9	9.8	12.2	14.9	16.4	17.9	20.8	24.2	31.4	40.2	48.1	56.8	62.0	68.7	76.6	84.8	100.6
	227	250	310	378	416	455	528	615	798	1020	1222	1442	1575	1745	1945	2155	2555
D	3.9	3.9	4.7	7.9	7.9	7.9	9.8	9.8	13.8	15.7	17.7	19.7	23.6	23.6	26.8	29.9	35.8
	100	100	120	200	200	200	250	250	350	400	450	500	600	600	680	760	910