

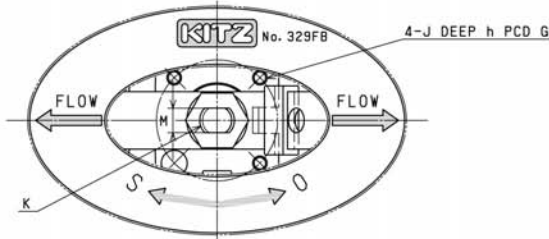


KITZ Corporation Of America  
800-772-0073 • www.KITZ.com

**BUTTWELD CARBON STEEL BALL VALVE**  
 Three Piece • Full Port • Stainless Steel Trim • Hypatite Seats  
 ISO 5211 Mounting Pad (KITZ Standard Mounting Pad on 1/4" and 3/8")  
 Locking Oval Handle • Firesafe in Accordance with API 607  
 Encapsulated Body Bolts • 1500 WOG • Schedule 40 Ends • NACE

Steel Ball Valves

**BWU3TFZM-FSO**  
**CODE NO. 329FB-LOH**

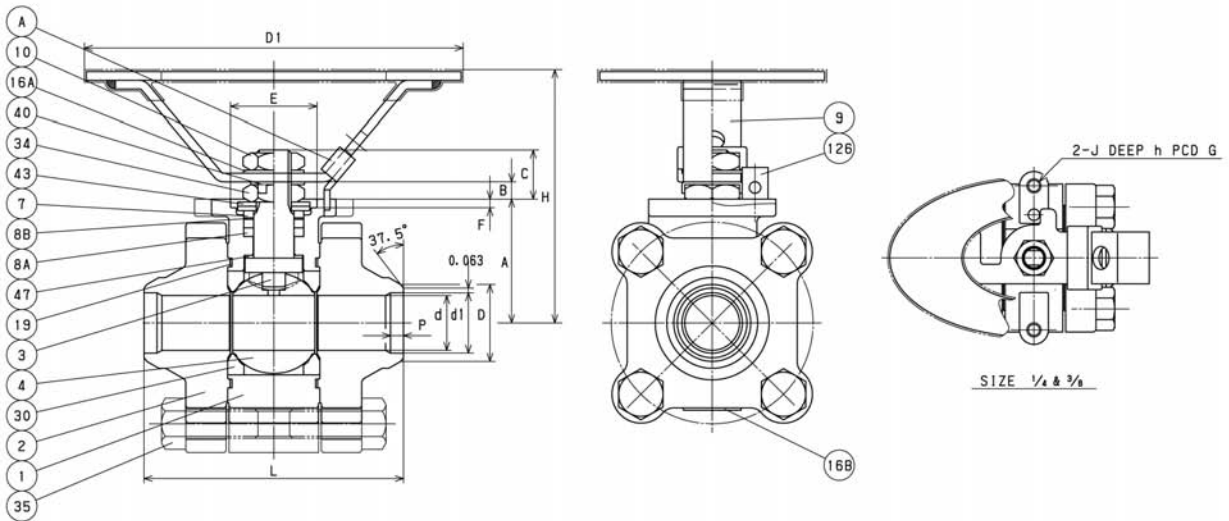


MATERIAL LIST

No.	Name of Parts	Materials
1	BODY	A351 Gr. CF8M
2	CAP	A351 Gr. CF8M
3	STEM	A276 TYPE 316
4	BALL	A276 TYPE 316 or A351 Gr. CF8M
7	GLAND	A276 TYPE 316
8A	GLAND PACKING	FLEXIBLE GRAPHITE
8B	SPACER PACKING	G/F PTFE
9	HANDLE	A276 TYPE 430 (1)
10	HANDLE NUT	A194 Gr.8
16A	WASHER	STAINLESS STEEL
16B	NAME PLATE	STAINLESS STEEL
19	GASKET	FLEXIBLE GRAPHITE
30	BALL SEAT	HYPATITE PTFE
34	GLAND NUT	A194 Gr. 8
35	CAP BOLT	A193 Gr. B8
40	LOCK PLATE	STAINLESS STEEL
43	CONED DISC SPRING	STAINLESS STEEL
47	THRUST WASHER	25% CARBON FILLED PTFE (2)
126	STOPPER PIN	A276 TYPE 304
A	LATCH LOCK	STAINLESS STEEL

NOTE

- (1) Plastic covering.
- (2) All valves have an anti-static thrust washer insuring positive conductivity between body and stem.



DIMENSIONS

Unit : mm

Nominal Size	Welding End				Mounting Dimensions for Actuator											ISO 5211 Flange Type		
	d	H	D1	L	d1	D	P	A	B	C	E	F	G	J	h		K	M
1/4	10	63	100	63	9	14	5	26	2	10	—	—	50	1/4-20UNC	7	M8	5	—
3/8	10	63	100	63	12	17	5	26	2	10	—	—	50	1/4-20UNC	7	M8	5	—
1/2	14	78	130	71	16	21	4	35	4	14	25	3	36	1/4-20UNC	5	M10	6	F03
3/4	19	87	130	90	21	27	4	43	5	17	30	3	42	1/4-20UNC	8	M12	9	F04

Unit : inch

Nominal Size	Welding End				Mounting Dimensions for Actuator											ISO 5211 Flange Type		
	d	H	D1	L	d1	D	P	A	B	C	E	F	G	J	h		K	M
1/4	0.39	2.48	3.94	2.48	0.363	0.539	0.197	1.043	0.079	0.413	—	—	1.969	1/4-20UNC	0.275	M8	0.197	—
3/8	0.39	2.48	3.94	2.48	0.491	0.673	0.197	1.043	0.079	0.413	—	—	1.969	1/4-20UNC	0.275	M8	0.197	—
1/2	0.55	3.07	5.12	2.80	0.620	0.839	0.177	1.378	0.169	0.559	0.984	0.118	1.417	1/4-20UNC	0.197	M10	0.236	F03
3/4	0.75	3.43	5.12	3.54	0.825	1.051	0.177	1.693	0.197	0.669	1.181	0.118	1.654	1/4-20UNC	0.315	M12	0.335	F04



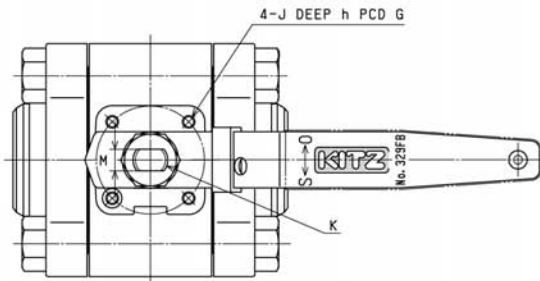
KITZ Corporation Of America  
800-772-0073 • www.KITZ.com

# BUTTWELD CARBON STEEL BALL VALVE

Three Piece • Full Port • Stainless Steel Trim • Hypatite Seats  
ISO 5211 Mounting Pad (KITZ Standard Mounting Pad on 1/4" and 3/8")  
Locking Lever Handle • Firesafe in Accordance with API 607  
Encapsulated Body Bolts • 1500 WOG • Schedule 40 Ends • NACE

## Steel Ball Valves

### BWU3TFZM-FS CODE NO. 329FB

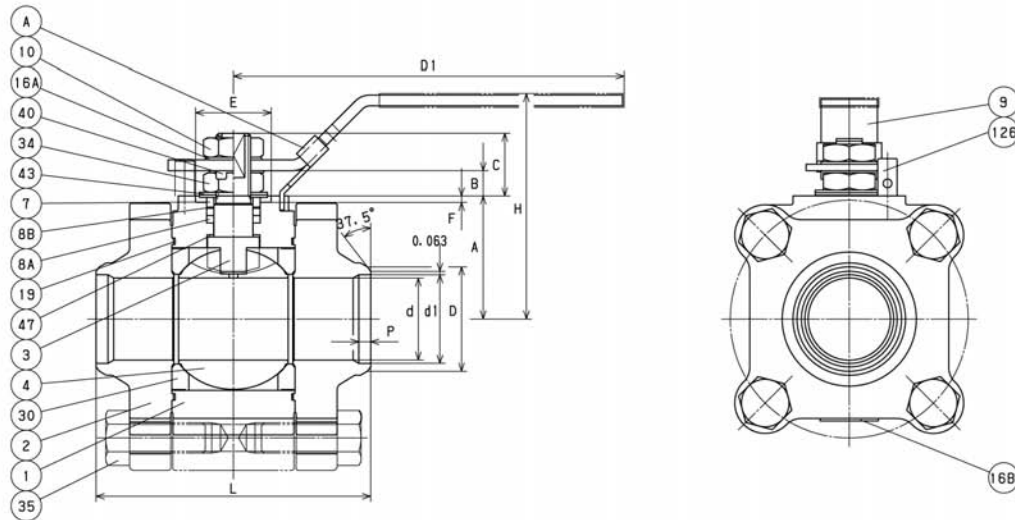


#### MATERIAL LIST

No.	Name of Parts	Materials
1	BODY	A351 Gr. CF8M
2	CAP	A351 Gr. CF8M
3	STEM	A276 TYPE 316
4	BALL	A276 TYPE 316 or A351 Gr. CF8M
7	GLAND	A276 TYPE 316
8A	GLAND PACKING	FLEXIBLE GRAPHITE
8B	SPACER PACKING	G/F PTFE
9	HANDLE	A276 TYPE 430 (1)
10	HANDLE NUT	A194 Gr.8
16A	WASHER	STAINLESS STEEL
16B	NAME PLATE	STAINLESS STEEL
19	GASKET	FLEXIBLE GRAPHITE
30	BALL SEAT	HYPATITE PTFE
34	GLAND NUT	A194 Gr. 8
35	CAP BOLT	A193 Gr. 8B
40	LOCK PLATE	STAINLESS STEEL
43	CONED DISC SPRING	STAINLESS STEEL
47	THRUST WASHER	25% CARBON FILLED PTFE (2)
126	STOPPER PIN	A276 TYPE 304
A	LATCH LOCK	STAINLESS STEEL

#### NOTE

- (1) Plastic covering.
- (2) All valves have an anti-static thrust washer insuring positive conductivity between body and stem.



#### DIMENSIONS

Unit : mm

Nominal Size	Welding End					Mounting Dimensions for Actuator													
	in.	d	H	D1	L	d1	D	P	A	B	C	E	F	G	J	h	K	M	ISO 5211 Flange Type
1	24	82	150	103	27	33	6	44	13	28	30	3	42	1/4-20UNC	8	M14	10	F04	
1 1/4	30	88	150	110	35	42	8	50	13	27	30	3	42	1/4-20UNC	8	M14	10	F04	
1 1/2	38	104	180	127	41	48	6	57	12	29	35	3	50	1/4-20UNC	10	M16	10	F05	

Unit : inch

Nominal Size	Welding End					Mounting Dimensions for Actuator													
	in.	d	H	D1	L	d1	D	P	A	B	C	E	F	G	J	h	K	M	ISO 5211 Flange Type
1	0.94	3.23	5.91	4.06	1.049	1.315	0.217	1.732	0.531	1.083	1.181	0.118	1.654	1/4-20UNC	0.315	M14	0.394	F04	
1 1/4	1.18	3.46	5.91	4.33	1.381	1.661	0.315	1.949	0.531	1.071	1.181	0.118	1.654	1/4-20UNC	0.315	M14	0.394	F04	
1 1/2	1.50	4.09	7.09	5.00	1.616	1.902	0.217	2.244	0.461	1.142	1.378	0.118	1.969	1/4-20UNC	0.394	M16	0.394	F05	