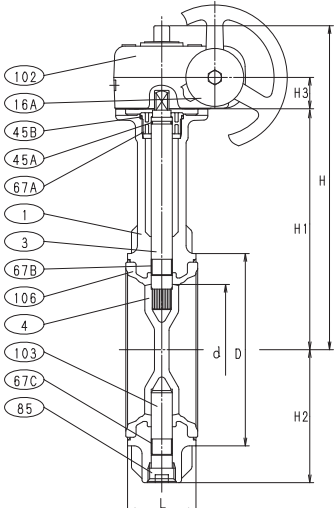


# BUTTERFLY VALVES - 200 PSI\* (Canada Only)

Ductile Iron Body • Extended Neck • ISO Mounting Pad  
 Bi-Directional • Spline Drive • Molded Seat Liner • Gear Operator • Lug & Wafer Design  
**SIZE 2" ~ 8"**

DESIGN STANDARDS: MSS SP-67, MSS SP-25 & API-609 END CONNECTION: ANSI CLS. 125/150 FLANGES WALL THICKNESS: KITZ STD



MATERIAL LIST		
NO.	NAME OF PART	SPECIFICATION
1	BODY	DUCTILE IRON (A536)
3	STEM*	STAINLESS STEEL (A276, Type 410 or 316)
4	DISC	DUCTILE IRON, AL. BRONZE, AND 316 SS
16A/B	NAME PLATE	ALUMINUM
45A/B	O-RING	NBR/EPDM
67A	BEARING	POLYACETAL
67B/C	STEM BEARING	G/F PTFE
85	PLUG	ZINC DIE-CAST (2)
99	SET BOLTS	CARBON STEEL
102	GEAR UNIT	ALUMINUM DIE-CAST
103	BOTTOM STEM*	STAINLESS STEEL (A276, TYPE 410 or 316)
106	SEAT RUBBER (3)	NBR/EPDM
145	SPRING WASHER	CARBON STEEL

- (1) Line scribed on top of the stem indicates the disc direction.
- (2) Chromate Coating
- (3) Vulcanized to the Body

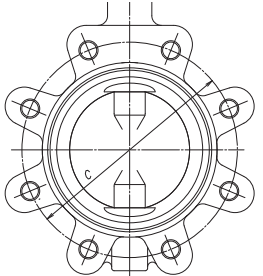


**Code # 5112 (B/E)G**  
 Disc: Ductile Iron (A538 + ENP)

**Code # 5122 (B/E)G**  
 Disc: Aluminum Bronze (C95400)

**Code # 5141 (B/E)G**  
 Disc: 316 SS (A351 Gr. CF8M)

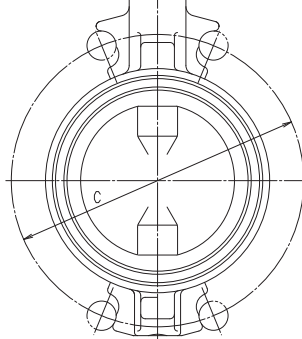
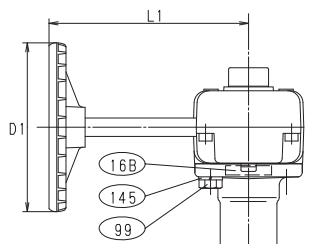
\*316 stem rated for 150 PSI max.



DIMENSIONS											
SIZE	d	D	C	H	H1	H2	L	D1	Wafer Lug		
									Lbs.	Lbs.	
									Kgs.	Kgs.	
in. 2	1.97	3.54	4.75	7.64	5.79	2.64	1.69	3.15	4.9	7.1	
mm 50	50	90	120.5	194	147	67	42.9	80	2.2	3.2	
in. 2 1/2	2.56	4.09	5.50	7.95	6.10	2.95	1.81	3.15	5.7	8.4	
mm 65	65	104	139.5	202	155	75	46	80	2.6	3.8	
in. 3	3.15	4.88	6.00	9.29	6.81	3.58	1.81	4.33	8.6	13.0	
mm 80	80	124	152.5	236	173	91	46	110	3.9	5.8	
in. 4	3.94	5.75	7.50	9.69	7.20	3.98	2.06	4.33	9.2	19.0	
mm 100	100	146	190.5	246	183	101	52.3	110	4.2	8.8	
in. 5	4.92	6.93	8.50	10.79	8.31	5.00	2.19	4.33	14.0	26.0	
mm 125	125	176	216	274	211	127	55.6	110	6.3	12.0	
in. 6	5.91	8.11	9.50	11.26	8.78	5.47	2.19	4.33	19.0	32.0	
mm 150	150	206	241.5	286	223	139	55.6	110	8.5	15.0	
in. 8	7.76	10.12	11.75	12.80	9.76	6.65	2.38	6.69	30.0	49.0	
mm 200	197	257	298.5	325	248	169	60.5	170	13.0	22.0	

For gear operator details, refer to page 24.

**NOTE:**  
 KITZ lug style butterfly valves are rated for bi-directional dead end service to full working pressure of the valve with the downstream flange removed. In dead end service exceeding 96 hours, a downstream flange is recommended.



**Code # 6112 (B/E)G**  
 Disc: Ductile Iron (A538 + ENP)

**Code # 6122 (B/E)G**  
 Disc: Aluminum Bronze (C95400)

**Code # 6141 (B/E)G**  
 Disc: 316 SS (A351 Gr. CF8M)