

# Cast Carbon Steel Globe Valve

Bolted bonnet, Outside screw-and-yoke, Rising stem handwheel, Swivel disc.

Class 1500

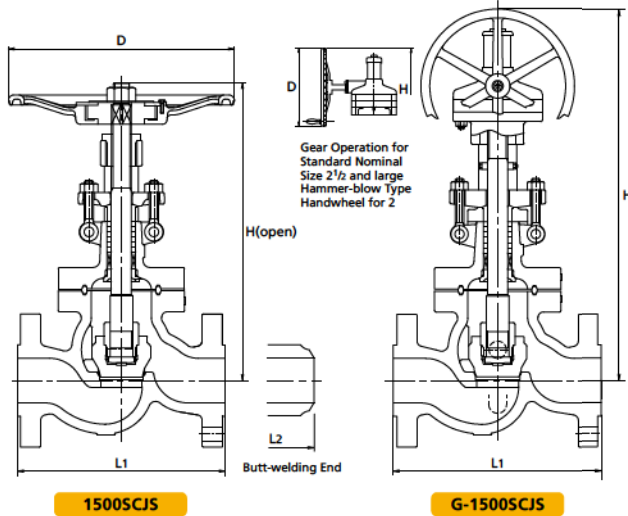


Fig	End Connections
1500SCJS	RF-flanged ends.
W1500SCJS	Butt-welding ends.

## Standard materials of parts

Parts	Materials
Body	ASTM A216 Gr.WCB+HF*
Bonnet	ASTM A216 Gr.WCB
Stem	ASTM A276 Tp.403
Disc	13Cr/Carbon Steel+13Cr
Lock nut	ASTM A182 Gr.F6a
Gland	ASTM A182 Gr.F6a
Gland packing	Flexible Graphite
Gland flange	ASTM A105/A216 Gr. WCB
Handwheel	Ductile iron
Gasket	See Page 6
Bonnet bolt/nut	ASTM A193 Gr.B7/A194 Gr.2H
Gland bolt/nut	ASTM A576 Gr.1045/A194 Gr.2H
Bonnet bushing	ASTM A182 Gr.F6a
Yoke	ASTM A216 Gr.WCB

\*Hard facing with Co-Cr-W Alloy.  
Note: Refer to Page 5&6 for standard seat material and construction.

## Dimensions

Nominal Size	2		2½		3		4		6		8	
	50		65		80		100		150		200	
L1	in	14.50	16.50	18.50	21.50	27.75	32.75					
	mm	368	419	470	546	705	832					
L2	in	14.50	16.50	18.50	21.50	27.75	32.75					
	mm	368	419	470	546	705	832					
H	in	21.3	36.2	38.0	43.4	53.8	55.1					
	mm	540	920	964	1102	1366	1400					
D	in	13.8	19.7	19.7	23.6	23.6	24.0					
	mm	350	500	500	600	600	610					

Bolted bonnet, Outside screw-and-yoke, Rising stem handwheel, Swivel disc.

Class 2500

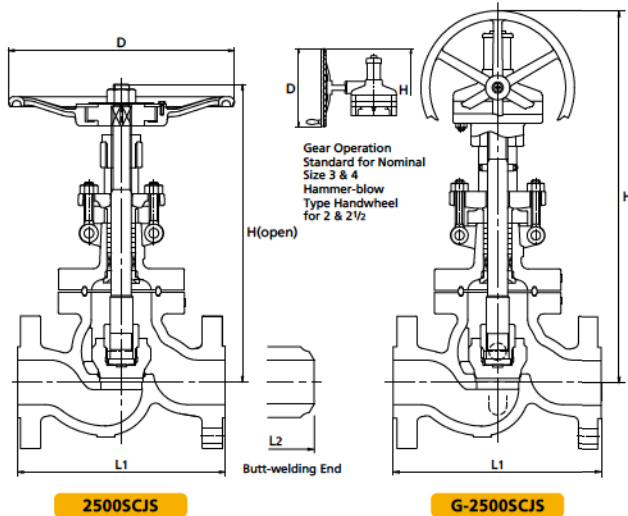


Fig	End Connections
2500SCJS	RF-flanged ends.
W2500SCJS	Butt-welding ends.

## Standard materials of parts

Parts	Materials
Body	ASTM A216 Gr.WCB+HF*
Bonnet	ASTM A216 Gr.WCB
Stem	ASTM A276 Tp.403
Disc	ASTM A182 Gr.F6a
Lock nut	ASTM A182 Gr.F6a
Gland	ASTM A182 Gr.F6a
Gland packing	Flexible Graphite
Gland flange	ASTM A105
Handwheel	Ductile iron
Gasket	See Page 6
Bonnet bolt/nut	ASTM A193 Gr.B7/A194 Gr.2H
Gland bolt/nut	ASTM A576 Gr.1045/A194 Gr.2H
Bonnet bushing	ASTM A182 Gr.F6a
Yoke	ASTM A216 Gr.WCB

\*Hard facing with Co-Cr-W Alloy.  
Note: Refer to Page 5&6 for standard seat material and construction.

## Dimensions

Nominal Size	2		2½		3		4	
	50		65		80		100	
L1	in	17.75	20.00	22.75	26.50			
	mm	451	508	578	673			
L2	in	17.75	20.00	22.75	26.50			
	mm	451	508	578	673			
H	in	25.5	27.6	40.0	50.3			
	mm	648	702	1016	1278			
D	in	15.7	19.7	23.6	23.6			
	mm	400	500	600	600			