



KITZ Corporation Of America
800-772-0073 • www.KITZ.com

THREADED STAINLESS STEEL BALL VALVE
Two Piece • Regular Port • Stainless Steel Trim • Hypatite Seats
Integral Mounting Pad • Locking Lever Handle
2000 WOG (1/4"-1") and 1500 WOG (1-1/4"-2") • NACE

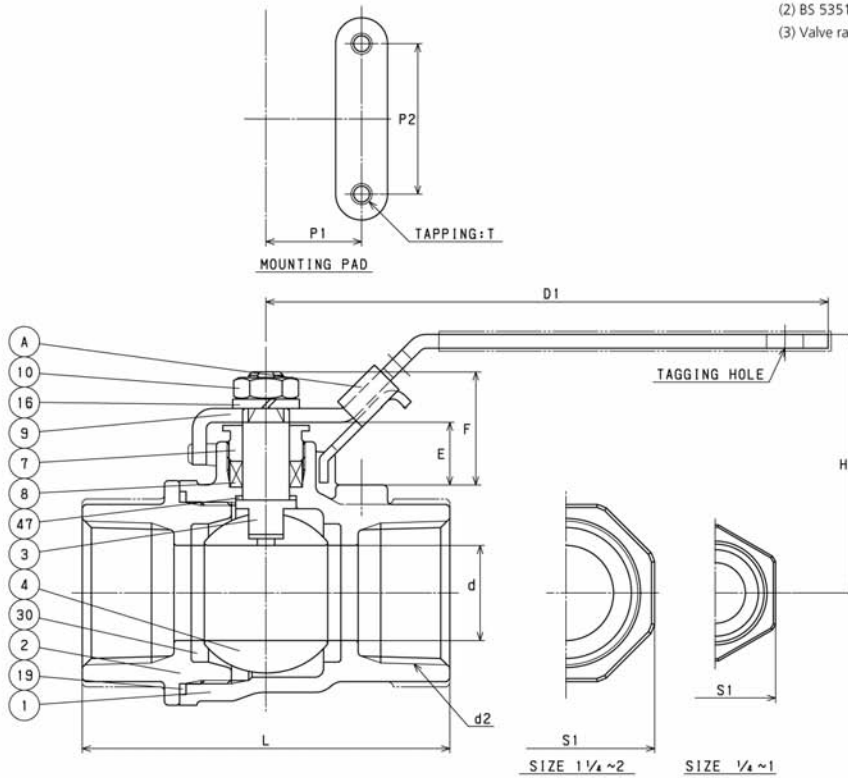
**AKUTHZM
CODE NO. 227**

MATERIAL LIST

No.	Name of Parts	Materials
1	BODY	A351 Gr. CF8M
2	BODY CAP	A351 Gr. CF8M
3	STEM	A276 TYPE 316
4	BALL	A276 TYPE 316
7	GLAND	A276 TYPE 304
8	GLAND PACKING	PTFE
9	HANDLE	A276 TYPE 430 (1)
10	HANDLE NUT	A194 Gr. 8
16	WASHER	A276 TYPE 304
19	GASKET	PTFE
30	BALL SEAT	HYPATITE PTFE
47	THRUST WASHER	G/F PTFE
A	LATCH LOCK	A276 TYPE 430

NOTE

- (1) Plastic covering.
- (2) BS 5351 Class 800 (size 1/4 to 1), KITZ standard (size 1 1/4 to 2).
- (3) Valve rating 2000WOG (size 1/4 to 1), 1500WOG (size 1 1/4 to 2).



DIMENSIONS

Unit : inch

Nominal Size	d	H	D1	L	d2	S1	P1	P2	E	F	T
1/4	0.37	1.99	3.94	2.09	NPT 1/4	0.827	0.5	1.12	0.571	0.925	No.10-24UNC
3/8	0.37	1.99	3.94	2.09	NPT 3/8	0.945	0.5	1.12	0.571	0.925	No.10-24UNC
1/2	0.39	2.29	4.53	2.44	NPT 1/2	1.102	0.5	1.12	0.531	0.925	No.10-24UNC
3/4	0.59	2.47	4.53	2.83	NPT 3/4	1.378	0.87	1.37	0.551	1.004	No.10-24UNC
1	0.79	2.50	5.31	3.35	NPT 1	1.614	0.87	1.37	0.571	1.063	No.10-24UNC
1 1/4	0.98	2.66	5.31	3.70	NPT 1 1/4	2.047	0.93	1.5	0.531	1.024	1/4-20UNC
1 1/2	1.26	3.27	6.10	4.21	NPT 1 1/2	2.323	0.93	1.5	0.669	1.240	1/4-20UNC
2	1.57	3.58	7.48	4.72	NPT 2	2.835	0.93	1.5	0.591	1.240	1/4-20UNC



KITZ Corporation Of America
800-772-0073 • www.KITZ.com

THREADED STAINLESS STEEL BALL VALVE
Two Piece • Regular Port • Stainless Steel Trim • Hypatite Seats
Integral Mounting Pad • Locking Oval Handle
2000 WOG (1/4"-1") and 1500 WOG (1-1/4"-2") • NACE

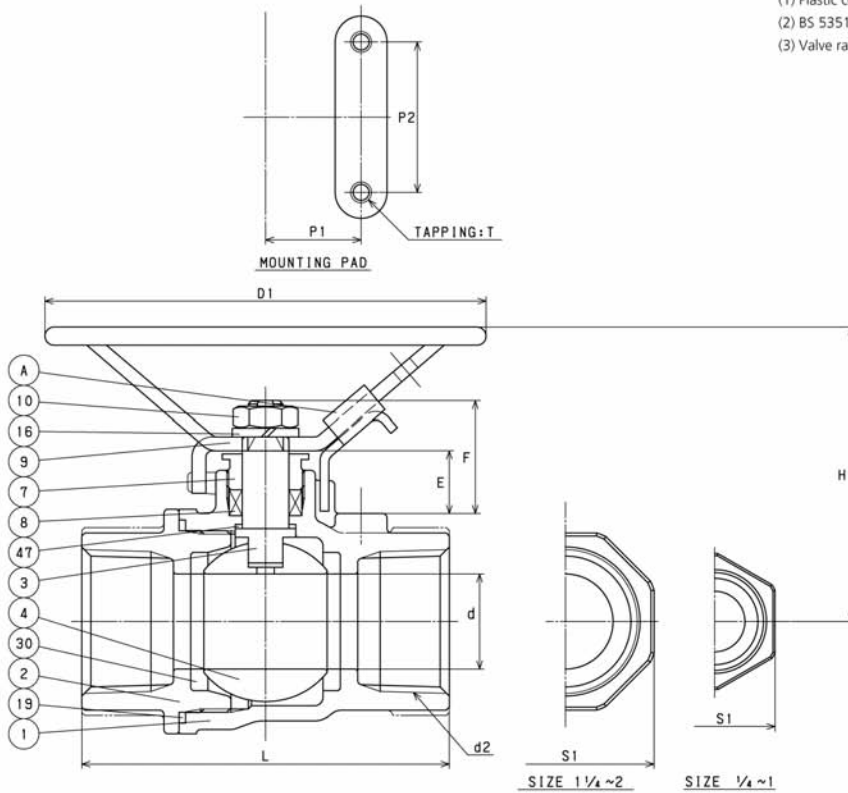
AKUTHZM-O
CODE NO. 227-LOH

MATERIAL LIST

No.	Name of Parts	Materials
1	BODY	A351 Gr. CF8M
2	BODY CAP	A351 Gr. CF8M
3	STEM	A276 TYPE 316
4	BALL	A276 TYPE 316
7	GLAND	A276 TYPE 304
8	GLAND PACKING	PTFE
9	HANDLE	A276 TYPE 430 (1)
10	HANDLE NUT	A194 Gr. 8
16	WASHER	A276 TYPE 304
19	GASKET	PTFE
30	BALL SEAT	HYPATITE PTFE
47	THRUST WASHER	G/F PTFE
A	LATCH LOCK	A276 TYPE 430

NOTE

- (1) Plastic covering.
- (2) BS 5351 Class 800 (size 1/4 to 1), KITZ standard (size 1 1/4 to 2).
- (3) Valve rating 2000WOG (size 1/4 to 1), 1500WOG (size 1 1/4 to 2).



DIMENSIONS

Unit : inch

Nominal Size	d	H	D1	L	d2	S1	P1	P2	E	F	T
1/4	0.37	2.42	3.94	2.09	NPT 1/4	0.827	0.5	1.12	0.571	0.925	No.10-24UNC
3/8	0.37	2.42	3.94	2.09	NPT 3/8	0.945	0.5	1.12	0.571	0.925	No.10-24UNC
1/2	0.39	2.46	3.94	2.44	NPT 1/2	1.102	0.5	1.12	0.531	0.925	No.10-24UNC
3/4	0.59	2.64	3.94	2.83	NPT 3/4	1.378	0.87	1.37	0.551	1.004	No.10-24UNC
1	0.79	2.70	3.94	3.35	NPT 1	1.614	0.87	1.37	0.571	1.063	No.10-24UNC
1 1/4	0.98	2.85	3.94	3.70	NPT 1 1/4	2.047	0.93	1.5	0.531	1.024	1/4-20UNC
1 1/2	1.26	3.66	5.12	4.21	NPT 1 1/2	2.323	0.93	1.5	0.669	1.240	1/4-20UNC
2	1.57	3.98	7.09	4.72	NPT 2	2.835	0.93	1.5	0.591	1.240	1/4-20UNC