



KITZ Corporation Of America
800-772-0073 • www.KITZ.com

THREADED CARBON STEEL BALL VALVE
Two Piece • Regular Port • Stainless Steel Trim • Hypatite Seats
Integral Mounting Pad • Locking Lever Handle
2000 WOG (1/4"-1") and 1500 WOG (1-1/4"-2") • NACE

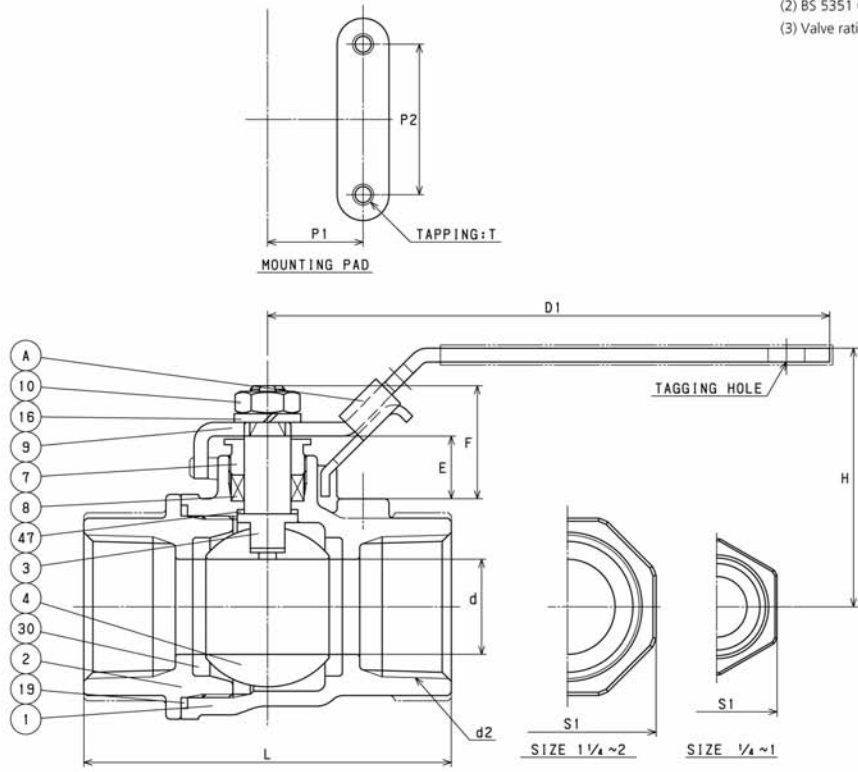
**AKSCTH2M
CODE NO. 217**

MATERIAL LIST

| No. | Name of Parts | Materials |
|-----|---------------|------------------|
| 1 | BODY | A216 Gr. WCB |
| 2 | BODY CAP | A216 Gr. WCB |
| 3 | STEM | A276 TYPE 316 |
| 4 | BALL | A276 TYPE 316 |
| 7 | GLAND | A276 TYPE 304 |
| 8 | GLAND PACKING | PTFE |
| 9 | HANDLE | CARBON STEEL (1) |
| 10 | HANDLE NUT | A194 Gr. 8 |
| 16 | WASHER | A276 TYPE 304 |
| 19 | GASKET | PTFE |
| 30 | BALL SEAT | HYPATITE PTFE |
| 47 | THRUST WASHER | G/F PTFE |
| A | LATCH LOCK | CARBON STEEL |

NOTE

- (1) Plastic covering.
- (2) BS 5351 Class 800 (size 1/4 to 1), KITZ standard (size 1 1/4 to 2).
- (3) Valve rating 2000WOG (size 1/4 to 1), 1500WOG (size 1 1/4 to 2).



DIMENSIONS

Unit : inch

| Nominal Size | d | H | D1 | L | d2 | S1 | P1 | P2 | E | F | T |
|--------------|------|------|------|------|-----------|-------|------|------|-------|-------|-------------|
| 1/4 | 0.37 | 1.99 | 3.94 | 2.09 | NPT 1/4 | 0.827 | 0.5 | 1.12 | 0.571 | 0.925 | No.10-24UNC |
| 3/8 | 0.37 | 1.99 | 3.94 | 2.09 | NPT 3/8 | 0.945 | 0.5 | 1.12 | 0.571 | 0.925 | No.10-24UNC |
| 1/2 | 0.39 | 2.29 | 4.53 | 2.44 | NPT 1/2 | 1.102 | 0.5 | 1.12 | 0.531 | 0.925 | No.10-24UNC |
| 3/4 | 0.59 | 2.47 | 4.53 | 2.83 | NPT 3/4 | 1.378 | 0.87 | 1.37 | 0.551 | 1.004 | No.10-24UNC |
| 1 | 0.79 | 2.50 | 5.31 | 3.35 | NPT 1 | 1.614 | 0.87 | 1.37 | 0.571 | 1.063 | No.10-24UNC |
| 1 1/4 | 0.98 | 2.66 | 5.31 | 3.70 | NPT 1 1/4 | 2.047 | 0.93 | 1.5 | 0.531 | 1.024 | 1/4-20UNC |
| 1 1/2 | 1.26 | 3.27 | 6.10 | 4.21 | NPT 1 1/2 | 2.323 | 0.93 | 1.5 | 0.669 | 1.240 | 1/4-20UNC |
| 2 | 1.57 | 3.58 | 7.48 | 4.72 | NPT 2 | 2.835 | 0.93 | 1.5 | 0.591 | 1.240 | 1/4-20UNC |



KITZ Corporation Of America
800-772-0073 • www.KITZ.com

THREADED CARBON STEEL BALL VALVE
Two Piece • Regular Port • Stainless Steel Trim • Hypatite Seats
Integral Mounting Pad • Locking Oval Handle
2000 WOG (1/4"-1") and 1500 WOG (1-1/4"-2") • NACE

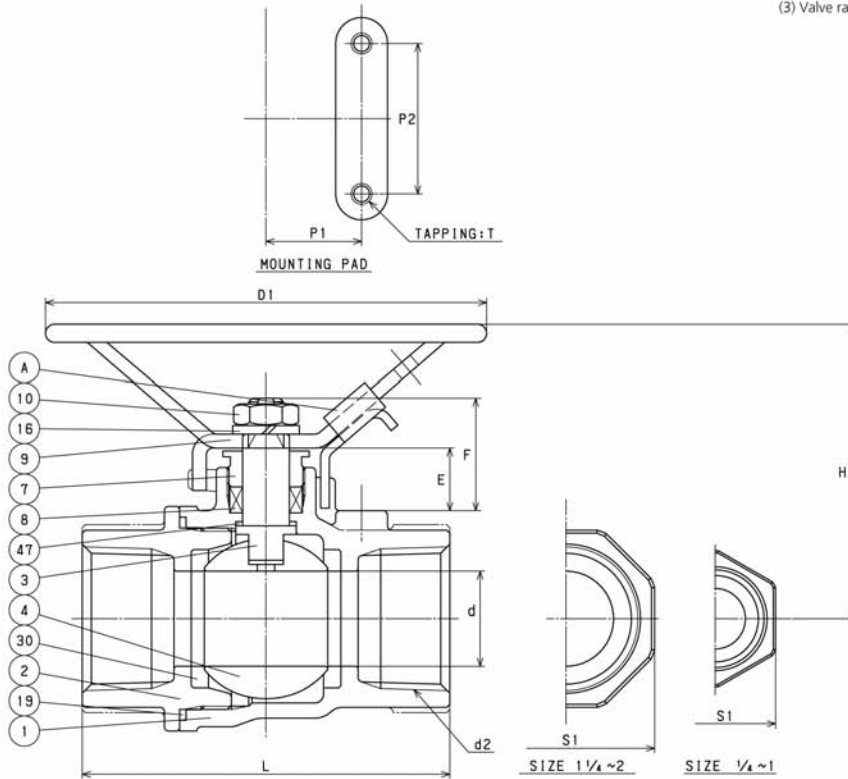
**AKSCTHZM-O
CODE NO. 217-LOH**

MATERIAL LIST

| No. | Name of Parts | Materials |
|-----|---------------|------------------|
| 1 | BODY | A216 Gr. WCB |
| 2 | BODY CAP | A216 Gr. WCB |
| 3 | STEM | A276 TYPE 316 |
| 4 | BALL | A276 TYPE 316 |
| 7 | GLAND | A276 TYPE 304 |
| 8 | GLAND PACKING | PTFE |
| 9 | HANDLE | CARBON STEEL (1) |
| 10 | HANDLE NUT | A194 Gr. 8 |
| 16 | WASHER | A276 TYPE 304 |
| 19 | GASKET | PTFE |
| 30 | BALL SEAT | HYPATITE PTFE |
| 47 | THRUST WASHER | G/F PTFE |
| A | LATCH LOCK | CARBON STEEL |

NOTE

- (1) Plastic covering.
- (2) BS 5351 Class 800 (size 1/4 to 1), KITZ standard (size 1 1/4 to 2).
- (3) Valve rating 2000WOG (size 1/4 to 1), 1500WOG (size 1 1/4 to 2).



DIMENSIONS

Unit : inch

| Nominal Size | d | H | D1 | L | d2 | S1 | P1 | P2 | E | F | T |
|--------------|------|------|------|------|-----------|-------|------|------|-------|-------|-------------|
| 1/4 | 0.37 | 2.42 | 3.94 | 2.09 | NPT 1/4 | 0.827 | 0.5 | 1.12 | 0.571 | 0.925 | No.10-24UNC |
| 3/8 | 0.37 | 2.42 | 3.94 | 2.09 | NPT 3/8 | 0.945 | 0.5 | 1.12 | 0.571 | 0.925 | No.10-24UNC |
| 1/2 | 0.39 | 2.46 | 3.94 | 2.44 | NPT 1/2 | 1.102 | 0.5 | 1.12 | 0.531 | 0.925 | No.10-24UNC |
| 3/4 | 0.59 | 2.64 | 3.94 | 2.83 | NPT 3/4 | 1.378 | 0.87 | 1.37 | 0.551 | 1.004 | No.10-24UNC |
| 1 | 0.79 | 2.70 | 3.94 | 3.35 | NPT 1 | 1.614 | 0.87 | 1.37 | 0.571 | 1.063 | No.10-24UNC |
| 1 1/4 | 0.98 | 2.85 | 3.94 | 3.70 | NPT 1 1/4 | 2.047 | 0.93 | 1.5 | 0.531 | 1.024 | 1/4-20UNC |
| 1 1/2 | 1.26 | 3.66 | 5.12 | 4.21 | NPT 1 1/2 | 2.323 | 0.93 | 1.5 | 0.669 | 1.240 | 1/4-20UNC |
| 2 | 1.57 | 3.98 | 7.09 | 4.72 | NPT 2 | 2.835 | 0.93 | 1.5 | 0.591 | 1.240 | 1/4-20UNC |