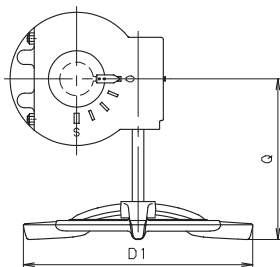
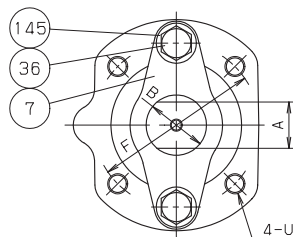
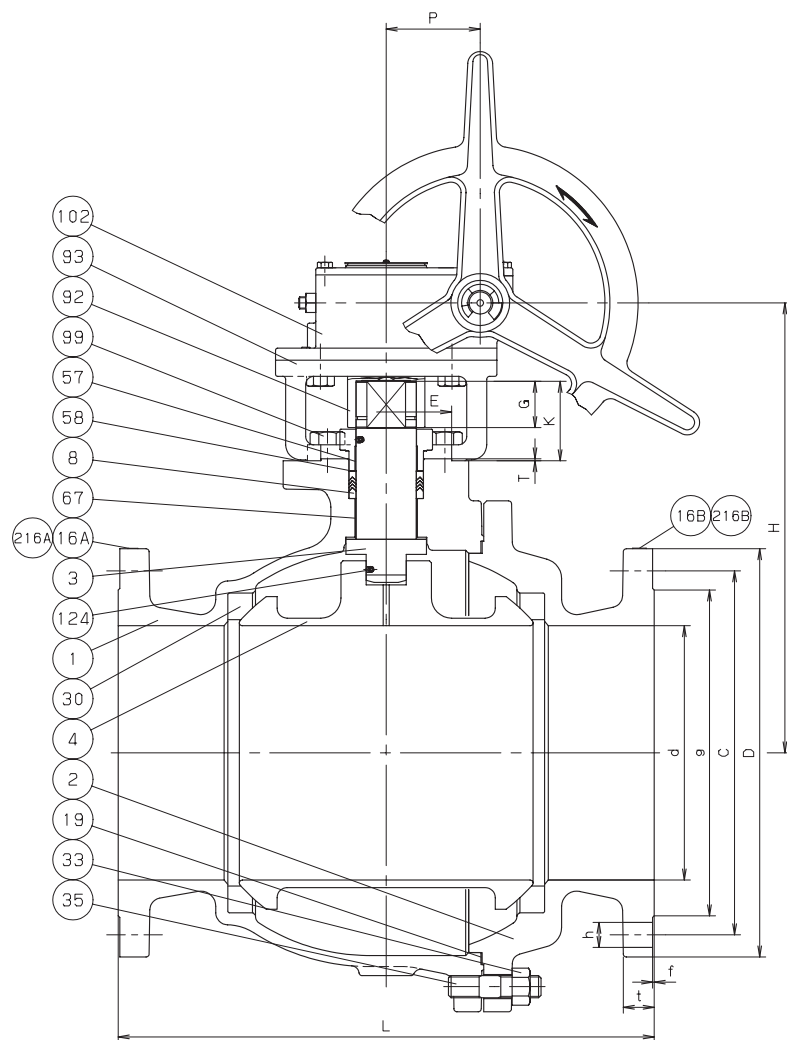


G-150UTDZM

MATERIAL LIST

No.	Name of Parts	Materials
1	BODY	A351 Gr. CF8M
2	BODY CAP	A351 Gr. CF8M
3	STEM	A276 TYPE316
4	BALL	A351 Gr. CF8M
7	GLAND	A351 Gr. CF8
8	GLAND PACKIING	G-150SCTDZM PTFE G-150SCTDZM-FS FLEXIBLE GRAPHITE
16 A	NAME PLATE	A276 TYPE304
16 B	LEV PLATE	A276 TYPE304
19	GASKET	G-150SCTDZM PTFE G-150SCTDZM-FS FLEXIBLE GRAPHITE
30	BALL SEAT	HYPATITE® PTFE
33	CAP NUT	A194 Gr. 8M
35	CAP BOLT	A193 Gr. B8M
36	GLAND BOLT	STAINLESS STEEL
57	GLAND BUSHING	G/F PTFE
58	GLAND WASHER	A276 TYPE304
67	STEM BEARING	G/F PTFE
92	CONNECTOR	CARBON STEEL
93	BRACKET	DUCTILE IRON
99	BOLT	STAINLESS STTEL
102	GEAR UNIT	
124	SPRING & PIN	A313 & A276 TYPE316
145	CONED DISC SPRINGS	Inconel® 718 or Equivalent
216 A	CE PLATE	A276 TYPE304
216 B	ATEX PLATE	A276 TYPE304



DIMENSIONS

Unit : inch

Nominal Size		End Flange											Mounting Dimensions for Actuator											
in.	mm	d	H	D1	L	D	Bolt Hole			Bolt Size	g	t	f	P	Q	A	B	E	F	G	K	T	U	ISO 5211 Flange Type
							C	No.	h															
10	250	9.96	17.64	19.69	21.00	16.00	14.25	12	1.00	7/8	12.75	1.19	0.06	3.68	14.29	1.81	2.36	5.12	6.50	1.81	3.07	0.08	M20	F16