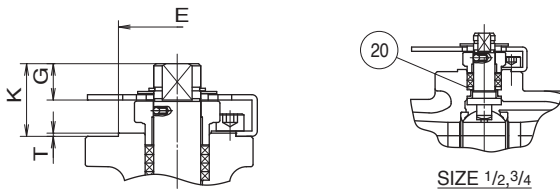
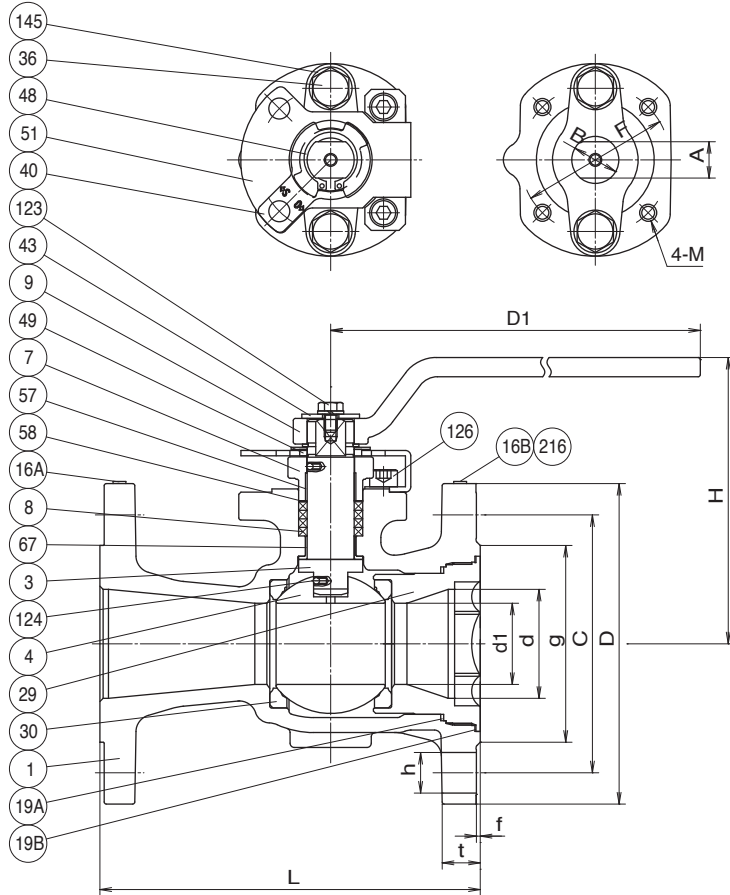


150SCTAZM 150SCTAZM-FS



MATERIAL LIST

| No. | Name of Parts | Materials |
|-----|-----------------------|--|
| 1 | BODY | A216 Gr. WCB |
| 3 | STEM | A276 TYPE316 |
| 4 | BALL | A276 TYPE316 or A351 Gr. CF8M |
| 7 | GLAND | A351 Gr. CF8 |
| 8 | GLAND PACKIING | 150SCTAZM PTFE 150SCTAZM-FS FLEXIBLE GRAPHITE |
| 9 | HANDLE | DUCTILE IRON |
| 16A | NAME PLATE | STAINLESS STEEL |
| 16B | LEV PLATE | STAINLESS STEEL |
| 19A | GASKET | PTFE |
| 19B | GASKET | 150SCTAZM-FS FLEXIBLE GRAPHITE |
| 20 | PACKING WASHER | A276 TYPE316L |
| 29 | INSERT | A216 Gr. WCB or A105N |
| 30 | BALL SEAT | HYPATITE® PTFE |
| 36 | GLAND BOLT | STAINLESS STEEL |
| 40 | KEYLOCK PLATE | STAINLESS STEEL |
| 43 | HANDLELOCK PLATE | STAINLESS STEEL |
| 48 | SNAP RING | STAINLESS STEEL |
| 49 | STOPPER | STAINLESS STEEL |
| 51 | STOPPER PLATE | STAINLESS STEEL |
| 57 | GLAND BUSHING | G/F PTFE |
| 58 | GLAND WASHER | A276 TYPE304 |
| 67 | STEM BEARING | G/F PTFE |
| 123 | HANDLELOCK PLATE BOLT | STAINLESS STEEL |
| 124 | SPRING & PIN | A313 & A276 TYPE316 |
| 126 | STOPPER PLATE BOLT | STAINLESS STEEL |
| 145 | CONED DISC SPRINGS | INCONEL® 718 or EQUIVALENT |
| 216 | ATEX PLATE | STAINLESS STEEL |

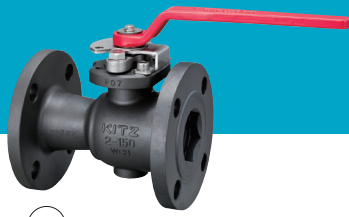
NOTE

(1) Dimensions A and B are in accordance with CAPI F03-S

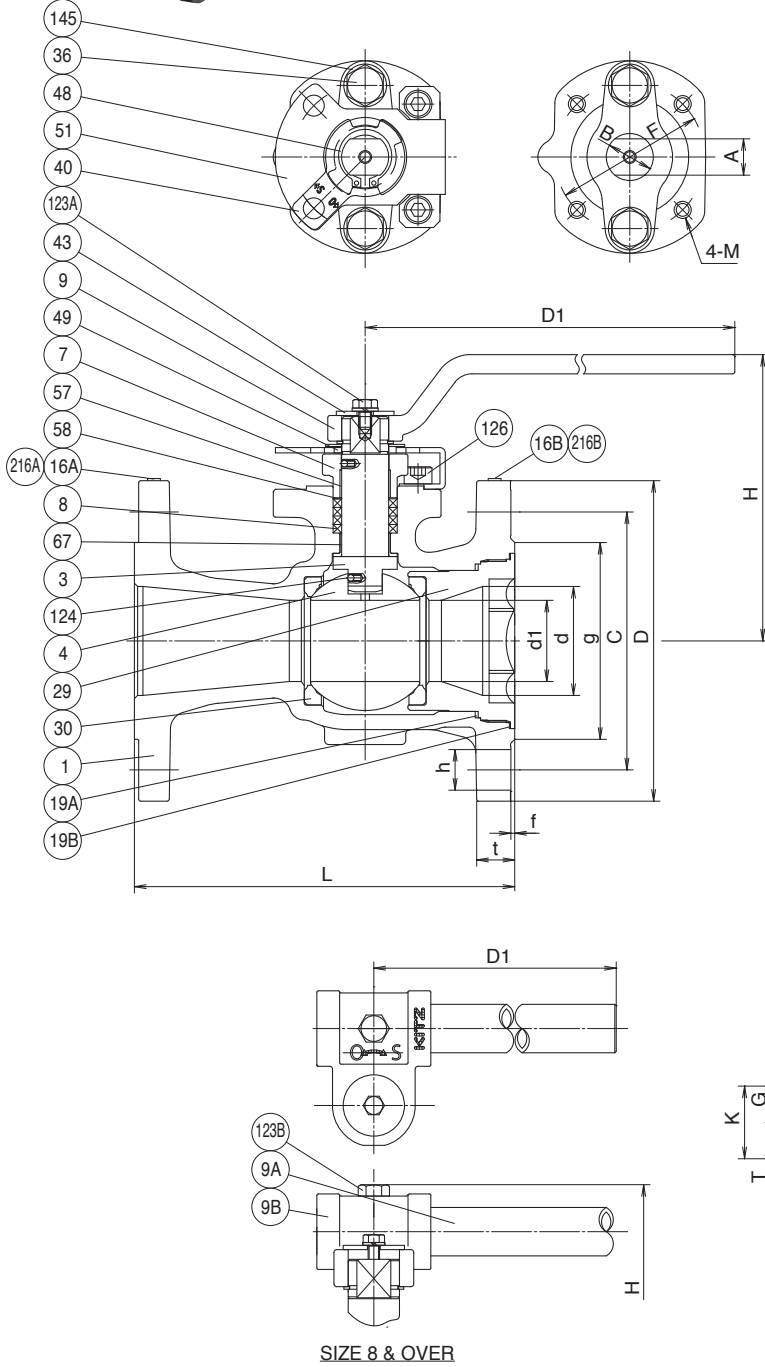
DIMENSIONS

Unit : inch

| Nominal Size | End Flange | | | | | | | | | | | Mounting Dimensions for Actuator | | | | | | | | | | | | |
|--------------|------------|------|------|------|------|------|------|-----------|---|------|-----|----------------------------------|------|------|-------|-------|-------|-------|------|------|------|----|--------|----------------------|
| | in. | mm | d | d1 | H | D1 | L | Bolt Hole | | | | Bolt Size | g | t | f | A | B | E | F | G | K | T | M | ISO 5211 Flange Type |
| | | | | | | | | D | C | No. | h | | | | | | | | | | | | | |
| 1/2 | 15 | 0.49 | 0.39 | 3.62 | 5.12 | 4.25 | 3.50 | 2.38 | 4 | 0.62 | 1/2 | 1.38 | 0.44 | 0.06 | 0.276 | 0.394 | 0.985 | 1.417 | 0.33 | 0.71 | 0.04 | M5 | F03(1) | |
| 3/4 | 20 | 0.75 | 0.49 | 3.74 | 5.12 | 4.62 | 3.88 | 2.75 | 4 | 0.62 | 1/2 | 1.69 | 0.44 | 0.06 | 0.276 | 0.394 | 0.985 | 1.417 | 0.33 | 0.71 | 0.04 | M5 | F03(1) | |
| 1 | 25 | 0.98 | 0.69 | 4.33 | 5.12 | 5.00 | 4.25 | 3.12 | 4 | 0.62 | 1/2 | 2.00 | 0.44 | 0.06 | 0.355 | 0.473 | 0.985 | 1.417 | 0.35 | 0.87 | 0.04 | M5 | F03 | |



150SCTAZM 150SCTAZM-FS



MATERIAL LIST

| No. | Name of Parts | Materials |
|------|-----------------------|--|
| 1 | BODY | A216 Gr. WCB |
| 3 | STEM | A276 TYPE316 |
| 4 | BALL | A276 TYPE316 or A351 Gr. CF8M |
| 7 | GLAND | A351 Gr. CF8 |
| 8 | GLAND PACKING | 150SCTAZM PTFE 150SCTAZM-FS FLEXIBLE GRAPHITE |
| 9 | HANDLE | DUCTILE IRON(UP TO SIZE 6) |
| 9A | HANDLE BAR | CARBON STEEL(SIZE 8& OVER) |
| 9B | HANDLE HEAD | DUCTILE IRON(SIZE 8& OVER) |
| 16A | NAME PLATE | STAINLESS STEEL |
| 16B | LEV PLATE | STAINLESS STEEL |
| 19A | GASKET | PTFE |
| 19B | GASKET | 150SCTAZM-FS FLEXIBLE GRAPHITE |
| 20 | PACKING WASHER | A276 TYPE316L(SIZE 1 1/2 ONLY) |
| 29 | INSERT | A216 Gr. WCB OR A105N |
| 30 | BALL SEAT | HYPATITE® PTFE |
| 36 | GLAND BOLT | STAINLESS STEEL |
| 40 | KEYLOCK PLATE | STAINLESS STEEL |
| 43 | HANDLELOCK PLATE | STAINLESS STEEL |
| 48 | SNAP RING | STAINLESS STEEL |
| 49 | STOPPER | STAINLESS STEEL |
| 51 | STOPPER PLATE | STAINLESS STEEL |
| 57 | GLAND BUSHING | G/F PTFE |
| 58 | GLAND WASHER | A276 TYPE304 |
| 67 | STEM BEARING | G/F PTFE |
| 123A | HANDLELOCK PLATE BOLT | STAINLESS STEEL |
| 123B | HANDLE BOLT | STAINLESS STEEL |
| 124 | SPRING & PIN | A313 & A276 TYPE316 |
| 126 | STOPPER PLATE BOLT | STAINLESS STEEL |
| 145 | CONED DISC SPRINGS | INCONEL® 718 or EQUIVALENT |
| 216A | CE PLATE | STAINLESS STEEL |
| 216B | ATEX PLATE | STAINLESS STEEL |

DIMENSIONS

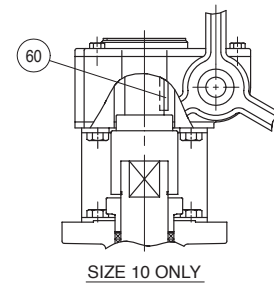
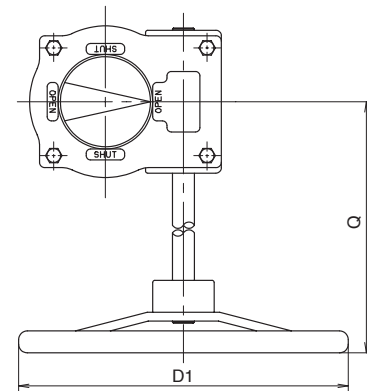
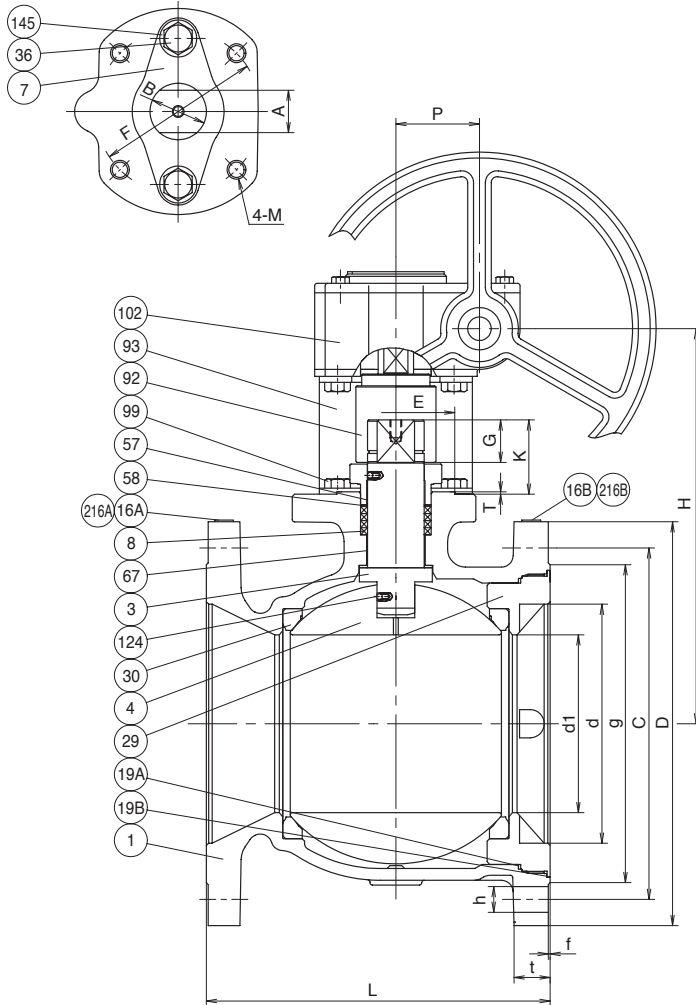
Unit : inch

| Nominal Size | End Flange | | | | | | | | | | | | | | | | Mounting Dimensions for Actuator | | | | | | | |
|--------------|------------|-------|------|-------|-------|------|-------|-------|-----------|------|-----|-----------|------|------|-------|-------|----------------------------------|-------|------|------|------|-----|-----|----------------------|
| | in. | mm | d | d1 | H | D1 | L | D | Bolt Hole | | | Bolt Size | g | t | f | A | B | E | F | G | K | T | M | ISO 5211 Flange Type |
| | | | | | | | | | C | No. | h | | | | | | | | | | | | | |
| 1 1/2 | 40 | 1.50 | 1.18 | 5.00 | 6.30 | 6.5 | 5.00 | 3.88 | 4 | 0.62 | 1/2 | 2.88 | 0.56 | 0.06 | 0.552 | 0.709 | 1.378 | 1.969 | 0.55 | 1.18 | 0.06 | M6 | F05 | |
| 2 | 50 | 2.00 | 1.50 | 5.28 | 9.06 | 7.0 | 6.00 | 4.75 | 4 | 0.75 | 5/8 | 3.62 | 0.62 | 0.06 | 0.670 | 0.867 | 2.166 | 2.756 | 0.67 | 1.34 | 0.06 | M8 | F07 | |
| 3 | 80 | 3.00 | 2.99 | 6.81 | 15.75 | 8.0 | 7.50 | 6.00 | 4 | 0.75 | 5/8 | 5.00 | 0.75 | 0.06 | 0.867 | 1.103 | 2.756 | 4.016 | 0.87 | 1.77 | 0.08 | M10 | F10 | |
| 4 | 100 | 4.00 | 3.00 | 7.44 | 15.75 | 9.0 | 9.00 | 7.50 | 8 | 0.75 | 5/8 | 6.19 | 0.94 | 0.06 | 0.867 | 1.103 | 2.756 | 4.016 | 0.87 | 1.77 | 0.08 | M10 | F10 | |
| 6 | 150 | 6.00 | 3.94 | 8.82 | 18.11 | 10.5 | 11.00 | 9.50 | 8 | 0.88 | 3/4 | 8.50 | 1.00 | 0.06 | 1.063 | 1.418 | 3.347 | 4.921 | 1.06 | 2.05 | 0.08 | M12 | F12 | |
| 8 | 200 | 8.00 | 5.94 | 12.40 | 39.37 | 11.5 | 13.50 | 11.75 | 8 | 0.88 | 3/4 | 10.62 | 1.12 | 0.06 | 1.418 | 1.890 | 3.937 | 5.512 | 1.42 | 2.48 | 0.08 | M16 | F14 | |
| 10 | 250 | 10.00 | 7.36 | 15.43 | 59.00 | 13.0 | 16.00 | 14.25 | 12 | 1.00 | 7/8 | 12.75 | 1.16 | 0.06 | 1.811 | 2.367 | 5.118 | 6.496 | 1.81 | 3.11 | 0.08 | M20 | F16 | |

G-150SCTAZM G-150SCTAZM-FS

MATERIAL LIST

| No. | Name of Parts | Materials |
|------|--------------------|--|
| 1 | BODY | A216 Gr. WCB |
| 3 | STEM | A276 TYPE316 |
| 4 | BALL | A351 Gr. CF8M |
| 7 | GLAND | A351 Gr. CF8 |
| 8 | GLAND PACKING | G-150SCTAZM PTFE G-150SCTAZM-FS FLEXIBLE GRAPHITE |
| 16A | NAME PLATE | STAINLESS STEEL |
| 16B | LEV PLATE | STAINLESS STEEL |
| 19A | GASKET | PTFE |
| 19B | GASKET | G-150SCTAZM-FS FLEXIBLE GRAPHITE |
| 29 | INSERT | A216 Gr. WCB or A105N |
| 30 | BALL SEAT | HYPATITE® PTFE |
| 36 | GLAND BOLT | STAINLESS STEEL |
| 57 | GLAND BUSHING | G/F PTFE |
| 58 | GLAND WASHER | A276 TYPE304 |
| 60 | KEY | CARBON STEEL |
| 67 | STEM BEARING | G/F PTFE |
| 92 | CONNECTOR | CARBON STEEL |
| 93 | BRACKET | CARBON STEEL |
| 99 | BOLT | CARBON STEEL |
| 102 | GEAR UNIT | |
| 124 | SPRING & PIN | A313 & A276 TYPE316 |
| 145 | CONED DISC SPRINGS | INCONEL® 718 or EQUIVALENT |
| 216A | CE PLATE | STAINLESS STEEL |
| 216B | ATEX PLATE | STAINLESS STEEL |



DIMENSIONS

Unit: inch

| Nominal Size | | End Flange | | | | | | | | | | Mounting Dimensions for Actuator | | | | | | | | | | | |
|--------------|-----|------------|------|-------|-------|------|-------|-----------|-----|-----------|-----|----------------------------------|------|------|-------|-------|-------|-------|------|------|------|----------------------|-----|
| in. | mm | d | d1 | H | D1 | L | D | Bolt Hole | | Bolt Size | g | t | f | A | B | E | F | G | K | T | M | ISO 5211 Flange Type | |
| | | | | | | | | C | No. | h | | | | | | | | | | | | | |
| 10 | 250 | 10.00 | 7.36 | 15.75 | 15.75 | 13.0 | 16.00 | 14.25 | 12 | 1.00 | 7/8 | 12.75 | 1.19 | 0.06 | 1.811 | 2.362 | 5.118 | 6.496 | 1.81 | 3.11 | 0.08 | M20 | F16 |