

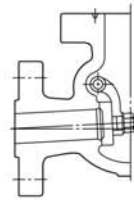
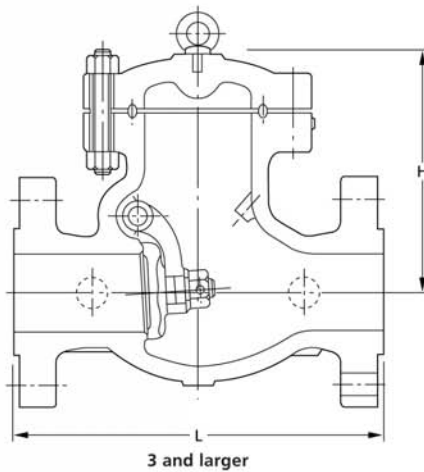
Class 1500

SWING CHECK VALVE

Pressure-Temperature Rating: ASME B 16.34

1500UOC

1500UOCM



2 1/2 and smaller

Materials

Parts	1500UOC	1500UOCM
Body*	CF8	CF8M
Cover	CF8	CF8M
Disc*	CF8	CF8M
Disc nut	304	316
Gasket	Refer to Page 10	
Hinge pin	304	316
Arm	CF8	CF8M
Cover bolt/nut	B8/8	
Eye bolt	Carbon steel	
Plug	304	316
Name plate	304	

*Body seats and/or disc seats can be optionally hard-faced.

Note: All integral seats

Items

Face-to-Face Dimensions	ASME B16.10
End Flange Dimensions	ASME B16.5
Wall Thickness	API 600 Class1500

Nominal Size	2	2 1/2	3	4	6	8
	50	65	80	100	150	200
L	14.50	16.50	18.50	21.50	27.75	32.75
	368	419	470	546	705	832
H	11.4	12.4	13.7	15.4	20.3	25.6
	290	316	347	391	515	650