



KITZ Corporation Of America
800-772-0073 • www.KITZ.com

Design - API 600, OS&Y, BB, RFF, Flex Wedge, LEV - 100 PPM max.
Body Materials - ASTM A351, A494, A890, A990, others upon request

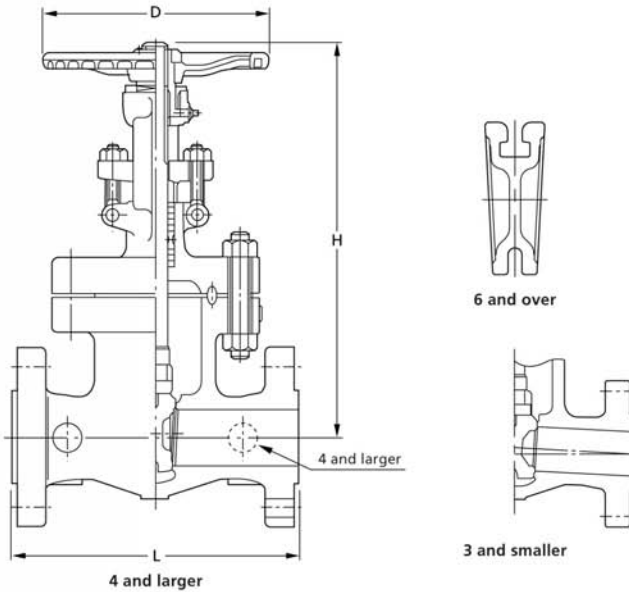
Class 1500

GATE VALVE

Pressure-Temperature Rating: ASME B 16.34

1500UMC

1500UMCM



Materials

Parts	1500UMC	1500UMCM
Body*	CF8	CF8M
Bonnet	CF8	CF8M
Stem	304	316
Disc*	CF8	CF8M
Gland	304	316
Gland flange	CF8	
Gland packing	Refer to Page 10	
Gasket	Refer to Page 10	
Yoke**	CF8	
Yoke sleeve	Ductile Ni-resist	
Handwheel	Ductile iron	
Gland bolt/nut	B8/8	
Gland bolt pin	403	
Bonnet bolt/nut	B8/8	
Grease nipple	Carbon steel	
Name plate	304	

*Body seats and/or disc seats can be optionally hard-faced.

**Yoke is separated from bonnet for size 6 and larger.

Note: • All integral seats
• All flexible wedges

Items	
Face-to-Face Dimensions	ASME B16.10
End Flange Dimensions	ASME B16.5
Wall Thickness	API 600 Class1500

Nominal Size	2		2½		3		4		6		8		10		12	
	in.	mm	in.	mm	in.	mm	in.	mm	in.	mm	in.	mm	in.	mm	in.	mm
L	in.	14.50	16.50	18.50	21.50	27.75	32.75	39.00	44.50							
	mm	368	419	470	546	705	832	991	1130							
H (open)	in.	22.1	24.9	27.0	30.4	42.4	50.2	59.6	66.9							
	mm	561	633	686	772	1078	1276	1513	1698							
D	in.	9.8	11.8	13.8	15.8	23.6	26.8	35.8	35.8							
	mm	250	300	350	400	600	680	910	910							