

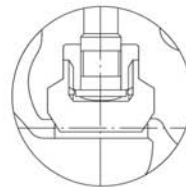
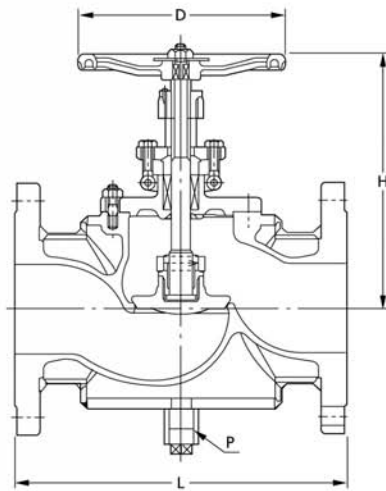
CLASS 150

JACKETED GLOBE VALVE

Pressure-Temperature Rating:
ASME B 16.34

150UPAJ

150UPAJM



1/2 × 1 1/2 ~ 1 1/2 × 2 1/2



Materials

Parts	150UPAJ	150UPAJM
Body	CF8	CF8M
Bonnet	CF8	CF8M
Stem	304	316
Disc	1/2 to 2	304
	3 & 4	CF8
Lock nut	1/2 to 1 1/2	304
	2 to 4	CF8
Gland	304	316
Gland flange	CF8	
Gland packing	Refer to Page 10	
Gasket	Refer to Page 10	
Yoke bush	Ductile Ni-resist	
Handwheel	FCD400	Ductile iron
Gland bolt/nut	B8/8	
Gland bolt pin	SUS403	403
Bonnet bolt/nut	B8/8	
Name plate	A1050P	
Jacket*	Carbon Steel+Steel	

*The material may be changed depending on the service temperature.
Note: Body seats and/or disc seats can be optionally hard-faced.

Items	
Face-to-Face Dimensions	KITZ Std.
End Flange Dimensions	JIS B2220, ASME B16.5
Wall Thickness	ASME B16.34 Class 150

Nominal Size	1/2 × 1 1/2		3/4 × 1 1/2		1 × 2		1 1/2 × 2 1/2		2 × 3		3 × 4		4 × 6	
	15 × 40		20 × 40		25 × 50		40 × 65		50 × 80		80 × 100		100 × 150	
L	in.	6.00	6.00	7.50	8.40	9.50	11.50	14.00						
	mm	152	152	190	213	241	292	356						
H (open)	in.	7.3	7.3	7.4	9.3	9.3	11.5	12.8						
	mm	186	186	187	236	237	293	326						
D	in.	3.9	3.9	3.9	6.3	6.3	7.9	8.9						
	mm	100	100	100	160	160	200	225						
P		Rc 1/2	Rc 1/2	Rc 1/2	Rc 1/2	Rc 1/2	Rc 1/2	Rc 3/4						

*The nominal sizes are indicated by [the valve nominal sizes] and [flange nominal sizes].