

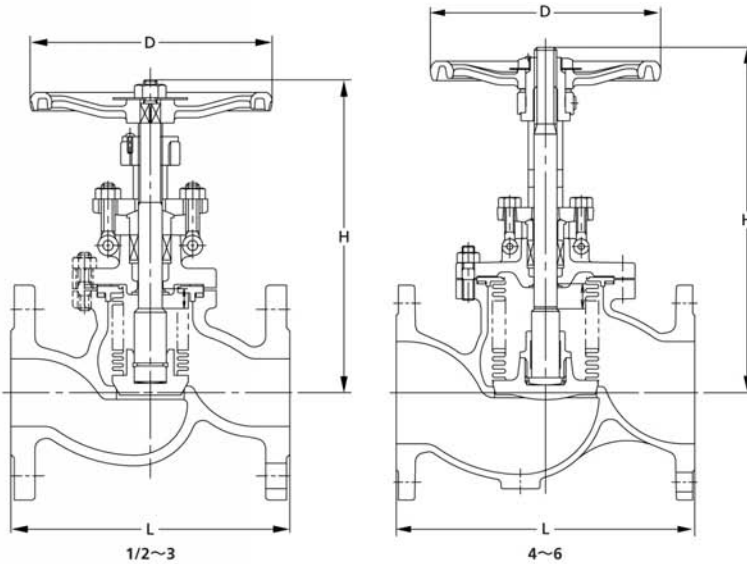
Class 150

BELLOWS SEAL GLOBE VALVE

Pressure-Temperature Rating: ASME B 16.34

150UPAW

150UPAWM



Materials

Parts	150UPAW	150UPAWM
Body	CF8	CF8M
Bonnet	CF8	CF8M
Stem	SUS304	
Disc	SUS316 or CF8M*	
Lock nut	CF8	
Gland	SUS304	
Gland packing	Flexible graphite	
Hand wheel	Ductile Iron	
Name plate	Aluminum	
Gasket	Flexible graphite	
Packing washer	SUS304	
Bellows holder	SUS316	
Bellows	SUS316L	
Bonnet bolt/nut	B8/8	
Gland bolt/nut	B8/8	
Yoke sleeve	Ductile Ni-resist	

*Soft seat is available.

Items

Face-to-Face Dimensions	ASME B16.10
End Flange Dimensions	ASME B16.5
Wall Thickness	ASME B16.34

Nominal Size		1/2	3/4	1	1 1/2	2	2 1/2	3	4	5	6
			15	20	25	40	50	65	80	100	125
L	in.	4.25	4.62	5.00	6.50	8.00	8.50	9.50	11.50	14.00	16.00
	mm	108	117	127	165	203	216	241	292	356	406
H (open)	in.	6.54	6.54	6.66	7.92	9.10	9.61	11.15	14.30	16.74	19.00
	mm	166	166	169	201	231	244	283	363	425	482
D	in.	3.5	3.5	3.9	5.5	6.3	7.1	7.9	8.9	9.8	13.8
	mm	90	90	100	140	160	180	200	225	250	350