



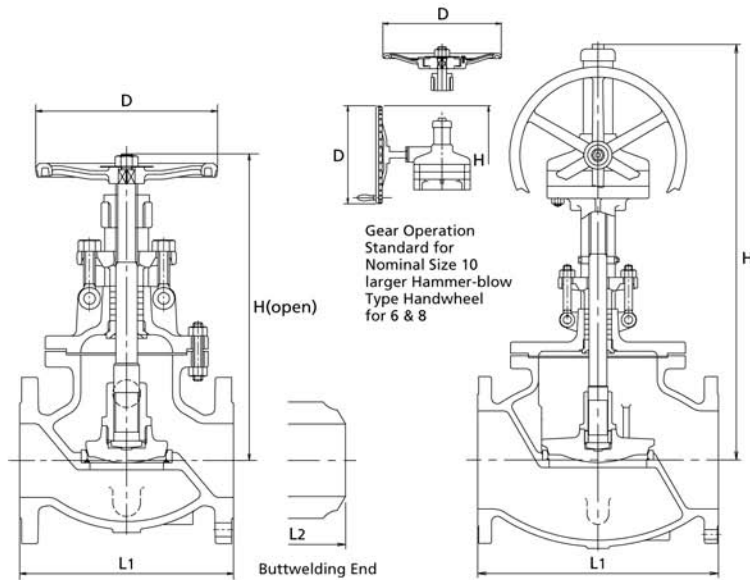
KITZ Corporation Of America
800-772-0073 • www.KITZ.com

Cast Carbon Steel Globe Valve
Design - B16.34, Wall Thickness - API 600, OS&Y, BB,
Conventional Plug Type Disc, RFF per B16.5, BW per B16.25,
LEV - 100 PPM max., Body Material ASTM A216, A217, A352

Class 150

Cast Carbon Steel Globe Valve

Bolted bonnet, Outside screw-and-yoke, Rising stem handwheel, Swivel disc.



150SCJS

G-150SCJS

| Fig | End Connections |
|----------|--------------------|
| 150SCJS | RF-flanged ends. |
| W150SCJS | Butt-welding ends. |

Standard materials of parts

| Parts | Materials |
|-----------------|------------------------------|
| Body | ASTM A216 Gr.WCB |
| Bonnet | ASTM A216 Gr.WCB |
| Stem | ASTM A276 Tp.403 |
| Disc | 13Cr/Carbon Steel+13Cr |
| Lock nut | ASTM A182 Gr.F6a |
| Body seat ring | Carbon Steel+HF* |
| Gland | ASTM A182 Gr.F6a |
| Gland packing | Flexible Graphite |
| Gland flange | ASTM A105/A216 Gr. WCB |
| Handwheel | Ductile iron |
| Gasket | See Page 6 |
| Bonnet bolt/nut | ASTM A193 Gr.B7/A194 Gr.2H |
| Gland bolt/nut | ASTM A576 Gr.1045/A194 Gr.2H |
| Bonnet bushing | ASTM A182 Gr.F6a |
| Yoke sleeve | ASTM A439 Tp.D2 |

*Hard facing with Co-Cr-W Alloy.

Note: Refer to Page 3&6 for standard seat material and construction.

Dimensions

| Nominal Size | Nominal Size | | | | | | | | | | | | | |
|--------------|--------------|------|-------|------|------|-------|-------|-------|-------|-------|-------|-------|-------|-------|
| | 1/2 | 2 | 2 1/2 | 3 | 4 | 5 | 6 | 8 | 10 | 12 | 14 | 16 | 18 | |
| | 40 | 50 | 65 | 80 | 100 | 125 | 150 | 200 | 250 | 300 | 350 | 400 | 450 | |
| L1 | in | 6.50 | 8.00 | 8.50 | 9.50 | 11.50 | 14.00 | 16.00 | 19.50 | 24.50 | 27.50 | 31.00 | 36.00 | 38.50 |
| | mm | 165 | 203 | 216 | 241 | 292 | 356 | 406 | 495 | 622 | 698 | 787 | 914 | 978 |
| L2 | in | — | 8.00 | 8.50 | 9.50 | 11.50 | 14.00 | 16.00 | 19.50 | 24.50 | 37.50 | 31.00 | 36.00 | 38.50 |
| | mm | — | 203 | 216 | 241 | 292 | 356 | 406 | 495 | 622 | 698 | 787 | 914 | 978 |
| H | in | 13.1 | 13.1 | 14.9 | 15.4 | 18.1 | 19.1 | 20.2 | 24.8 | 38.5 | 41.3 | 43.5 | 48.2 | 49.8 |
| | mm | 332 | 332 | 379 | 390 | 460 | 464 | 513 | 630 | 979 | 1049 | 1106 | 1224 | 1264 |
| D | in | 7.9 | 7.9 | 9.8 | 9.8 | 9.8 | 11.8 | 13.8 | 15.7 | 19.7 | 19.7 | 19.7 | 23.6 | 23.6 |
| | mm | 200 | 200 | 250 | 250 | 250 | 300 | 350 | 400 | 500 | 500 | 500 | 600 | 600 |